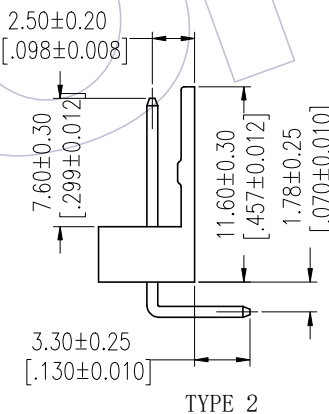
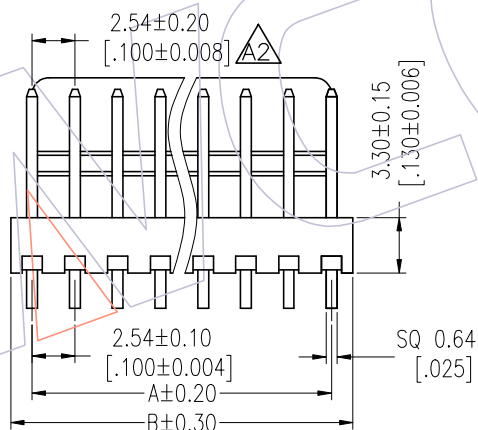
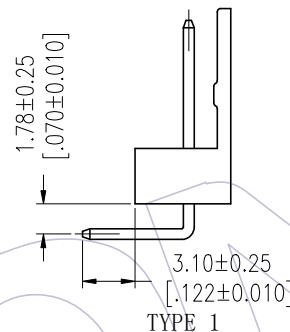
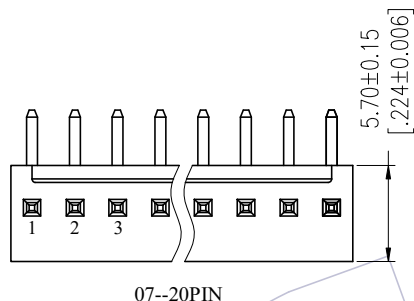
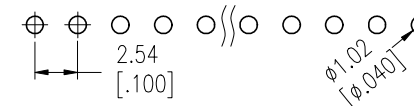


HSF

NOTES:
 Current Rating:3.0A
 Contact Resistance:20mΩ Max
 Withstand Voltage:1000V AC/DC
 Insulation Resistance:1000MΩ Min
 Operation Temperature:-25℃ to +85℃

Contact Material:Brass
 Contact plating:Au Or Sn Over Ni
 Insulator Material:PA66 or PA46 (UL94V-0)

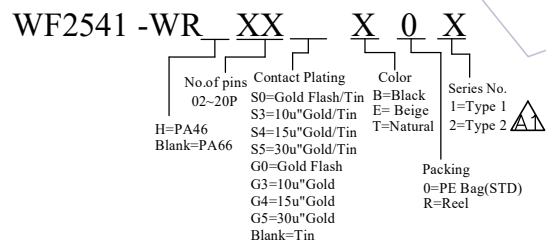
Recommended P.C.B Layout(Top Side)
 (PCB BOARD TOLERANCE±0.05)



Specification & Ordering Information:

Circuit	Part No.	Dimension		Q'TY/ bag
		A	B	
02	WF2541-WR(X)02XXX0X	2.54	5.08	1,000
03	WF2541-WR(X)03XXX0X	5.08	7.62	1,000
04	WF2541-WR(X)04XXX0X	7.62	10.16	1,000
05	WF2541-WR(X)05XXX0X	10.16	12.70	1000
06	WF2541-WR(X)06XXX0X	12.70	15.24	500
07	WF2541-WR(X)07XXX0X	15.24	17.78	500
08	WF2541-WR(X)08XXX0X	17.78	20.32	500
09	WF2541-WR(X)09XXX0X	20.32	22.86	500
10	WF2541-WR(X)10XXX0X	22.86	25.40	500
11	WF2541-WR(X)11XXX0X	25.40	27.94	300
12	WF2541-WR(X)12XXX0X	27.94	30.48	300
13	WF2541-WR(X)13XXX0X	30.48	33.02	300
14	WF2541-WR(X)14XXX0X	33.02	35.56	300
15	WF2541-WR(X)15XXX0X	35.56	38.10	200
16	WF2541-WR(X)16XXX0X	38.10	40.64	200
17	WF2541-WR(X)17XXX0X	40.64	43.18	200
18	WF2541-WR(X)18XXX0X	43.18	45.72	200
19	WF2541-WR(X)19XXX0X	45.72	48.26	200
20	WF2541-WR(X)20XXX0X	48.26	50.80	200

Ordering Information



TYPE	PART NO.
TYPE 1	WF2541-WR (X) XXXXX01
TYPE 2	WF2541-WR (X) XXXXX02

REV	DATE	MODIFICATION DESCRIPTION	CHANGE	OPERATION		DRAW Du Ying	DATE 2017/04/25	SCALE UNIT	FIT mm inch	PART NO. SEE TAB
				x.x	±0.40					
A2	2020/05/05	Add Dimension	A2	Du Ying	x.xx	±0.25	CHECK	DATE	SIZE	A4
A1	2017/04/25	MODIFY	A1	Ding	x.xxx	±0.15	APPROVE	DATE	SHEET	1/1
AO	2012/09/08	NEW			Angle	± 3'		DATE	PROJ.	Customer NO.
					DIM	TOL				

WCON

Http: www.wcon.com

WCON-Dongguan
 Tel: +86 769 85358920
 Fax: +86 769 85358915
 E-mail: sales@wcon.com

WCON-Kunshan
 Tel: +86 512 57468408
 Fax: +86 512 57468468
 E-mail: sales@wcon.com