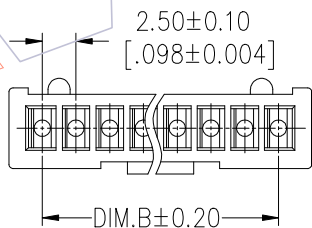
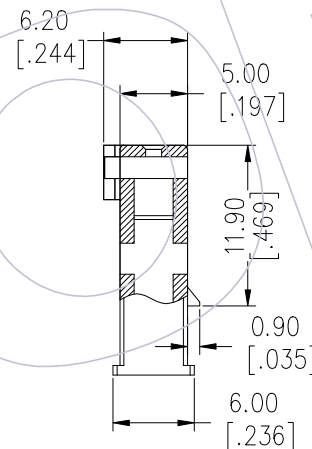
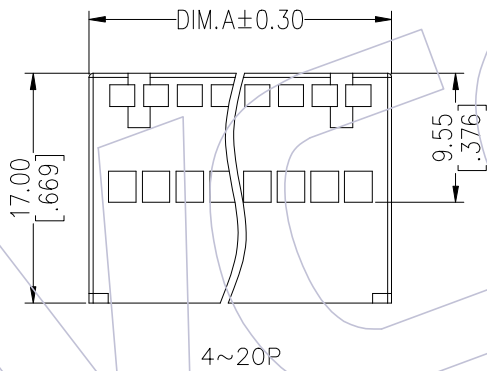
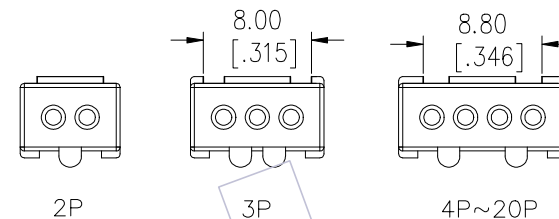
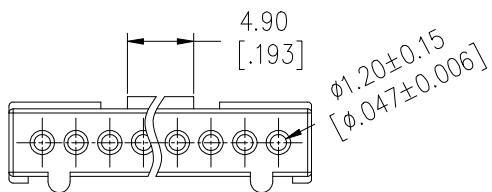


HSF

NOTES:
 Rated Current: 5.0AMP
 Voltage Rating: 32V AC/DC
 Contact Resistance: 10mΩ max
 Withstand Voltage: 1000V AC/DC 1 minute
 Insulation Resistance: 1000MΩ min
 Operation Temperature: -40℃ to +115℃
 Insulator Material: PBT+30%G.F UL94V-0



Specification & Ordering Information:

Circuit	Part No.	DIM.A	DIM.B
2	WF2512-H02G01	7.40	2.50
3	WF2512-H03G01	9.90	5.00
4	WF2512-H04G01	12.40	7.50
5	WF2512-H05G01	14.90	10.00
6	WF2512-H06G01	17.40	12.50
7	WF2512-H07G01	19.90	15.00
8	WF2512-H08G01	22.40	17.50
9	WF2512-H09G01	24.90	20.00
10	WF2512-H10G01	27.40	22.50
11	WF2512-H11G01	29.90	25.00
12	WF2512-H12G01	32.40	27.50
13	WF2512-H13G01	34.90	30.00
14	WF2512-H14G01	37.40	32.50
15	WF2512-H15G01	39.90	35.00
16	WF2512-H16G01	42.40	37.50
17	WF2512-H17G01	44.90	40.00
18	WF2512-H18G01	47.40	42.50
19	WF2512-H19G01	49.90	45.00
20	WF2512-H20G01	52.40	47.50

Ordering Information

WF2512 - H XX G 01

No. of Pins per Row: 02~20P
 Color G=Gray

REV	DATE	MODIFICATION DESCRIPTION	CHANGE	OPERATION	DRAW	DATE	SCALE	FIT	PART NO.
AO	2018/09/25	NEW		x.x ±0.40	Ding	2018/09/25	UNIT	mm	WF2512-HXXG01
				x.xx ±0.25	CHECK	DATE	SIZE	A4	TITLE:
				x.xxx ±0.15	APPROVE	DATE	SHEET	1/1	2.50 Pitch Cable Housing
				Angle ± 3'			PROJ.		Customer NO.
				DIM TOL					

WCON

Http: www.wcon.com

WCON-Dongguan Tel: +86 769 85358920
 WCON-Kunshan Tel: +86 512 57468408
 Fax: +86 769 85358915
 E-mail: sales@wcon.com
 Fax: +86 512 57468468
 E-mail: salesks@wcon.com