

# HSF

**NOTES:**

Current Rating: 2.0AMP (All of contacts energized, AT 30°C Rise, 20% Derated)  
 Contact Resistance: 20mΩ max  
 Withstand Voltage: 1000V AC  
 Insulation Resistance: 1000MΩ  
 Operation Temperature: -55°C ~ +125°C  
 Durability: 500 cycling

Terminal Material: Copper Alloy  
 Terminal Plating: (See Ordering Information)  
 XXu" Gold On Contact Area,  
 80u" Tin Min. on Solder area,  
 50u" Nickel Min. Underplating overall.  
 Housing Material:  
 PBT+30%G.F.(UL94V-0), Gray White  
 Ground Strip Material: Copper Alloy  
 Packing: TRAY

**Ordering Information**

3412 - 2 XX B F S XX X A X

Row Code:  
 2=Double Row  
 No. of Pins Per Row:  
 10=10Pin  
 16=16Pin  
 32=32Pin  
 40=40Pin  
 Rows with Contacts:  
 B=a+b  
 Type Code:  
 F=Female  
 Type Code:  
 S=180° DIP Type

DIP Length:  
 1:L=2.90  
 2:L=4.50  
 Packing:  
 A=TRAY  
 Lock:  
 W=W/T Lock  
 N=W/O Lock  
 Contact Plating:  
 S0: Gold Flash/Tin  
 S1: 3u" Gold/Tin  
 S3: 10u" Gold/Tin  
 S4: 15u" Gold/Tin  
 S5: 30u" Gold/Tin

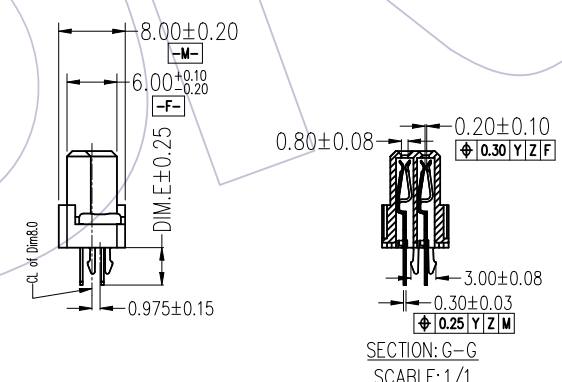
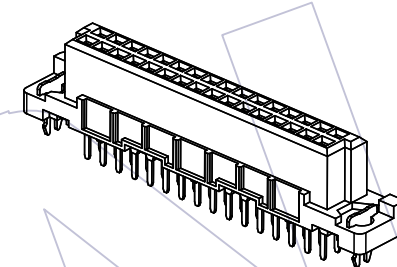
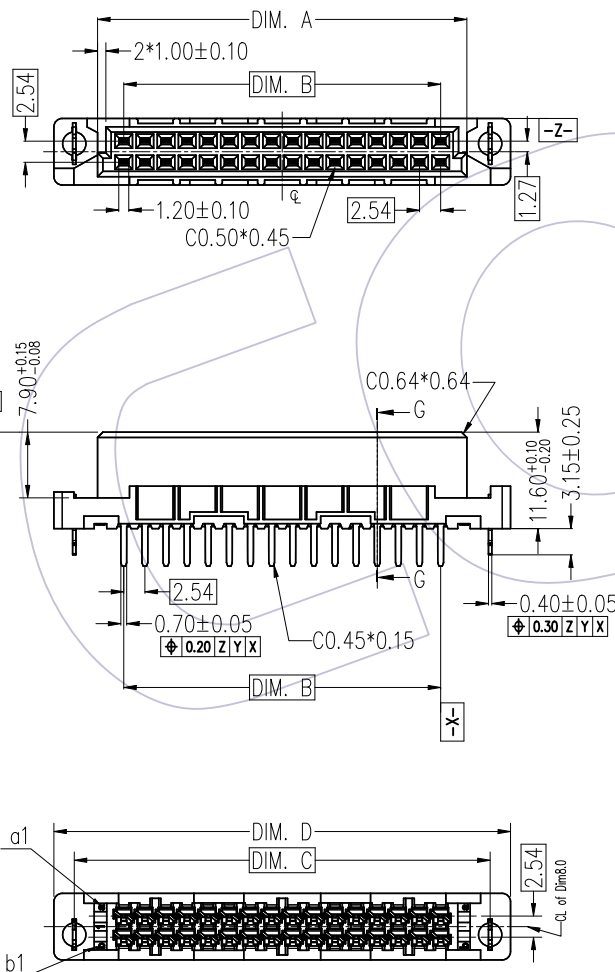
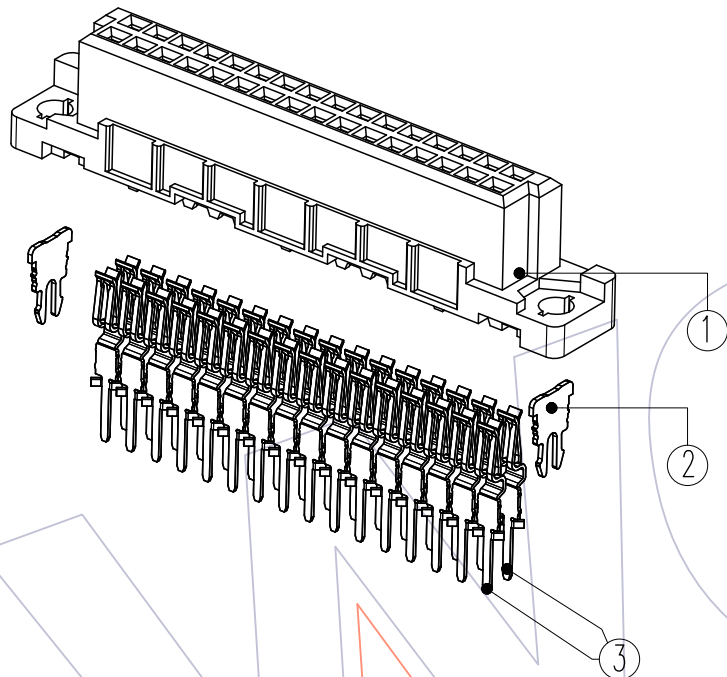


Table 1:

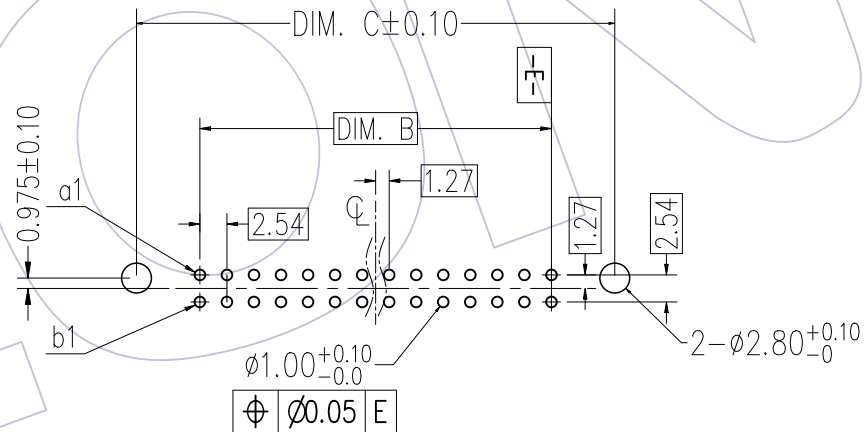
Dimensions	DIM. A	DIM. B	DIM. C	DIM. D	DIM. E
PIN NO. / 2*10PIN	29.16 <sup>+0.08</sup> <sub>-0.15</sub>	22.86	34.76	39.66±0.10	2.9&4.5
2*16PIN	44.40 <sup>+0.08</sup> <sub>-0.20</sub>	38.10	50.00	54.90 <sup>+0.10</sup> <sub>-0.15</sub>	
2*32PIN	85.04 <sup>+0.08</sup> <sub>-0.25</sub>	78.74	90.00	94.90 <sup>+0.10</sup> <sub>-0.20</sub>	
2*40PIN	105.36 <sup>+0.08</sup> <sub>-0.30</sub>	99.06	109.68	115.22 <sup>+0.10</sup> <sub>-0.25</sub>	

		OPERATION		DRAW Jason	DATE 2022/07/16	SCALE UNIT	FIT mm	PART NO. 3412-2XXBFSXXXAX	 Http: www.wcon.com WCON-Dongguan      WCON-Kunshan Tel: +86 769 85358920      Tel: +86 512 57468408 Fax: +86 769 85358915      Fax: +86 512 57468468 E-mail: sales@wcon.com      E-mail: salesks@wcon.com	
		CHECK								
A0	2022/07/16	NEW RELEASE		Jason	DATE	SHEET	Customer NO.			
REV	DATE	MODIFICATION DESCRIPTION		CHANGE	DATE	PROJ.				

# HSF



Recommended P.C.B Layout (Top Side)  
(PCB BOARD TOLERANCE  $\pm 0.05$ )



BOM LIST:

ITEM	DESCRIPTION	MATERIALS	NO.	REMARK
①	Housing	PBT(UL94V-0)	1	Gray White
②	Ground Strip	Copper Alloy	2	Sn over Ni
③	Terminal	Copper Alloy	Single Row No.of Pin*3	Au Sn over Ni

REV	DATE	MODIFICATION DESCRIPTION	CHANGE	OPERATION	
				Angle	TOL
A0	2022/07/16	NEW RELEASE	Jason	± 3°	

DRAW	Jason	DATE	2022/07/16	SCALE	FIT	PART NO.	3412-2XXBFSXXXAX
CHECK		DATE		UNIT	mm	TITLE:	2.54mm DIN 41612 CONN. 2 Row 180° DIP TYPE FEMALE
APPROVE		DATE		SHEET	2/2	Customer NO.	
				PROJ.			

--	--	--	--	--	--	--	--

**WCON**  
Http: [www.wcon.com](http://www.wcon.com)

WCON-Dongguan	WCON-Kunshan
Tel: +86 769 85358920	Tel: +86 512 57468408
Fax: +86 769 85358915	Fax: +86 512 57468468
E-mail: <a href="mailto:sales@wcon.com">sales@wcon.com</a>	E-mail: <a href="mailto:salesks@wcon.com">salesks@wcon.com</a>