

HSF

NOTES:

Current Rating: 2.0AMP(All of contacts energized,AT 30°C Rise, 20% Derated)
 Contact Resistance:20mΩ max
 Withstand Voltage:1000V AC
 Insulation Resistance:1000MΩ
 Operation Temperature: -55°C~+125°C
 Durability:500 cycling

Terminal Material: Copper Alloy
 Terminal Plating: (See Ordering Information)
 XXu" Gold On Contact Area,
 100U" Tin Min.on Solder area,
 50U" Nickel Min. Underplating overall.
 Housing Material:
 PBT+30%G.F.(UL94V-0),Gray White
 Ground Strip Material:Copper Alloy
 Packing: TRAY

Ordering Information

3412 - 2 XX B F P XX X A X

Row Code:
 2=Double Row
 No.of Pins Per Row:
 10=10Pin
 16=16Pin
 32=32Pin
 40=40Pin
 Rows with Contacts:
 B=a+b
 Type Code:
 F= Female
 Type Code:
 P=Press-fit type

DIP Length:
 1:L=3.70
 2:L=4.50
 Packing:
 A=TRAY

Lock:
 W=W/T Lock
 N=W/O Lock

Contact Plating:
 S0: Gold Flash/Tin
 S1: 3u" Gold/Tin
 S3: 10u" Gold/Tin
 S4: 15u" Gold/Tin
 S5: 30u" Gold/Tin

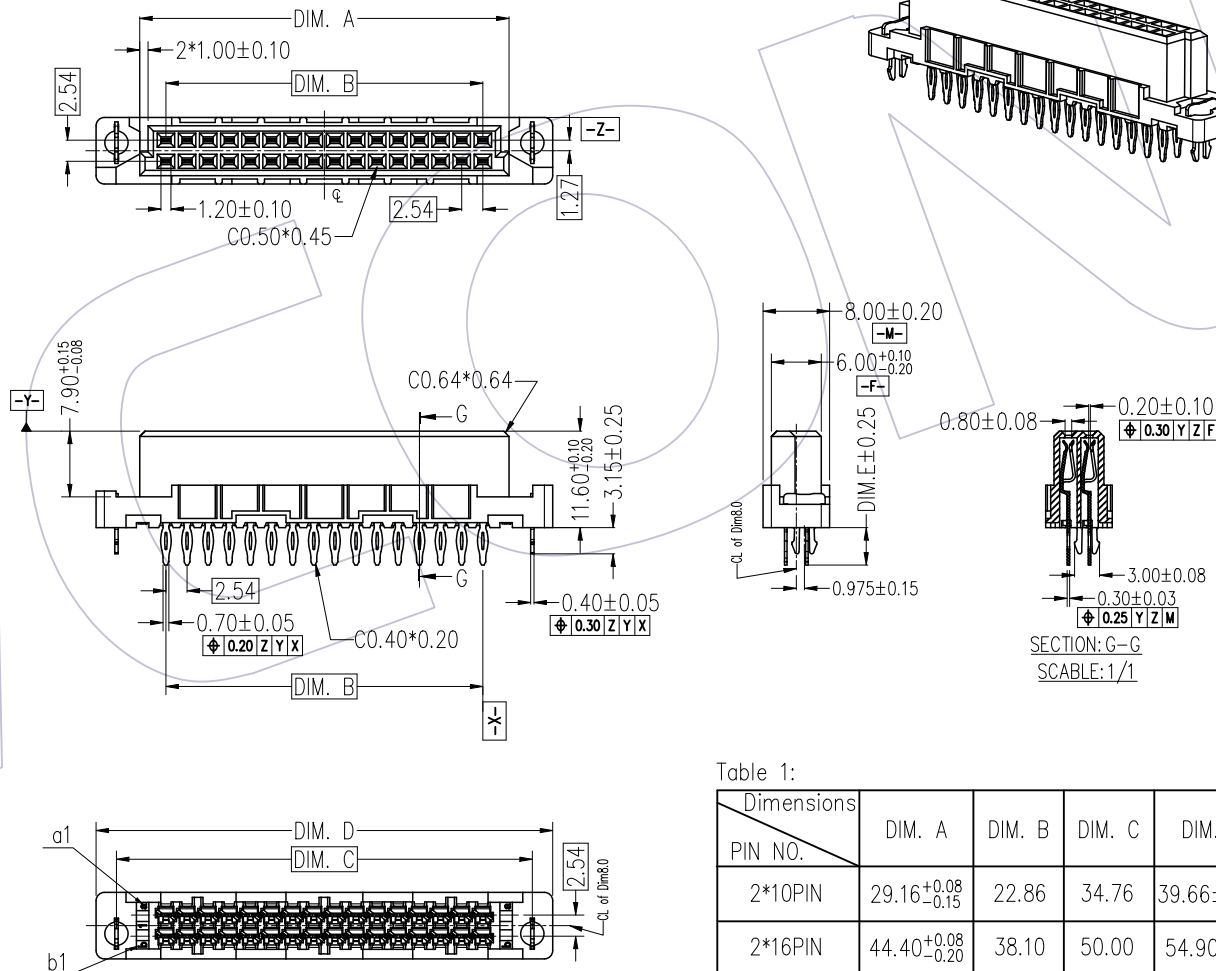

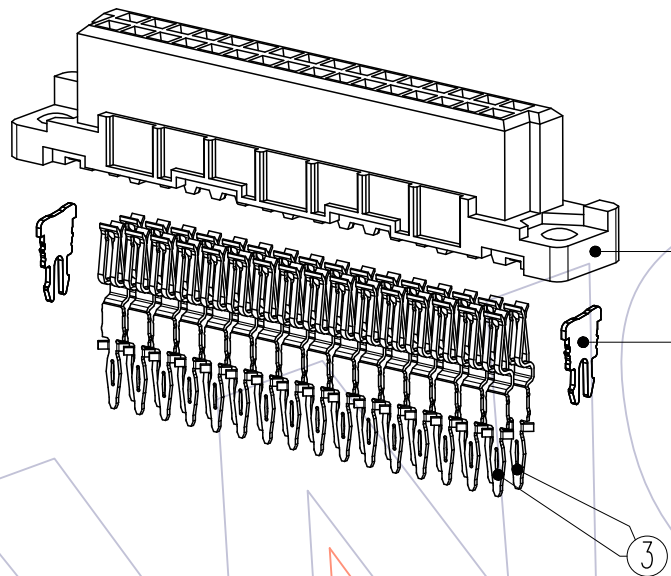


Table 1:

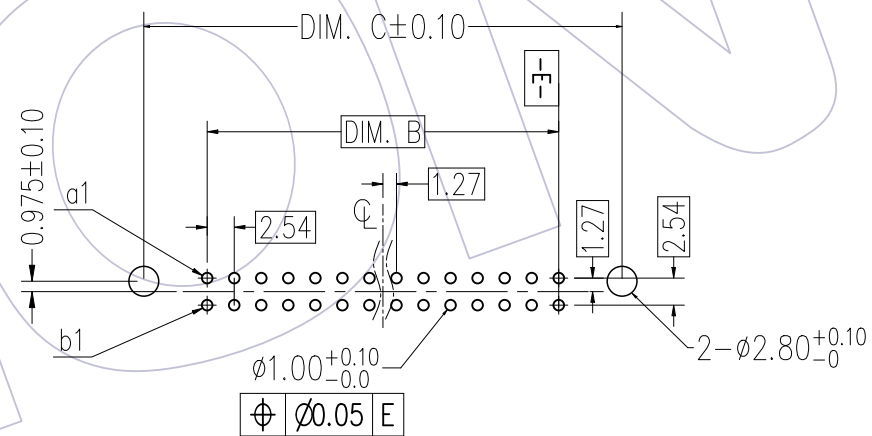
Dimensions	DIM. A	DIM. B	DIM. C	DIM. D	DIM. E
PIN NO.					
2*10PIN	29.16 ^{+0.08} _{-0.15}	22.86	34.76	39.66±0.10	3.7&4.5
2*16PIN	44.40 ^{+0.08} _{-0.20}	38.10	50.00	54.90 ^{+0.10} _{-0.15}	
2*32PIN	85.04 ^{+0.08} _{-0.25}	78.74	90.00	94.90 ^{+0.10} _{-0.20}	
2*40PIN	105.36 ^{+0.08} _{-0.30}	99.06	109.68	115.22 ^{+0.10} _{-0.25}	

OPERATION		DRAW Jason	DATE 2022/07/16	SCALE UNIT	FIT mm	PART NO. 3412-2XXBFPXXXAX	TITLE: 2.54mm DIN 41612 CONN. 2 Row 180° DIP PRESS-FIT TYPE FEMALE	 Http: www.wcon.com	
x.x	±0.40								
	x.xx	±0.25	CHECK	DATE	SIZE	A4	WCON-Dongguan	WCON-Kunshan	
A0	2022/07/16	NEW RELEASE	Jason		SHEET	1/2	Tel: +86 769 85358920	Tel: +86 512 57468408	
REV	DATE	MODIFICATION DESCRIPTION	CHANGE	APPROVE	DATE	PROJ.	Fax: +86 769 85358915	Fax: +86 512 57468468	
				Angle	± 3°		E-mail: sales@wcon.com	E-mail: salesks@wcon.com	
				DIM	TOL				

HSF



Recommended P.C.B Layout (Top Side)
(PCB BOARD TOLERANCE ± 0.05)



BOM LIST:

ITEM	DESCRIPTION	MATERIALS	NO.	REMARK
①	Housing	PBT(UL94V-0)	1	Gray White
②	Ground strip	Copper Alloy	2	Sn over Ni
③	Terminal	Copper Alloy	Single Row No.of Pin*3	Au Sn over Ni

				OPERATION		DRAW Jason	DATE 2022/07/16	SCALE	FIT	PART NO. 3412-2XXBFPXXXAX		 Http: www.wcon.com WCON-Dongguan WCON-Kunshan Tel: +86 769 85358920 Tel: +86 512 57468408 Fax: +86 769 85358915 Fax: +86 512 57468468 E-mail: sales@wcon.com E-mail: salesks@wcon.com	
				x.x ±0.40				UNIT	mm	TITLE: 2.54mm DIN 41612 CONN. 2 Row 180° PRESS-FIT TYPE FEMALE			
				x.xx ±0.25		CHECK	DATE	SIZE	A4	Customer NO.			
				x.xxx ±0.15				APPROVE	DATE	SHEET	2/2		
A0	2022/07/16	NEW RELEASE		Jason		DIM	TOL			PROJ.			
REV	DATE	MODIFICATION DESCRIPTION		CHANGE									