

HSF

NOTES:

- 1.Current Rating:8.7A Max;
- 2.Contact Resistance: 25mΩ Max;
- 3.Withstand Voltage: 500V AC;
- 4.Insulation Resistance: 10000MΩ Min;
- 5.Operating Temperature: -55°C to +150°C;
- 6.Insulator Material: LCP,G.F,UL94V-0,BK;
- 7.Contact Material: Copper Alloy;
- 8.Contact plating:
xxμ" Gold on contact area (See ordering information),
100μ" Matte TIN on solder area,
50μ" Nickel underplating overall;
- 9.Recommended process:
IR soldering,Peak temperature:260±5°C, 5s ;

Ordering Information

3916-P XXX-037 Z XX W B R 1

P=Plug

No.of Pins:
002=2P; 003=3P;
004=4P; 006=6P;
008=8P; 010=10P;
012=12P;

Height of Houding:
H=3.7 TYPE

Z=R/A SMT

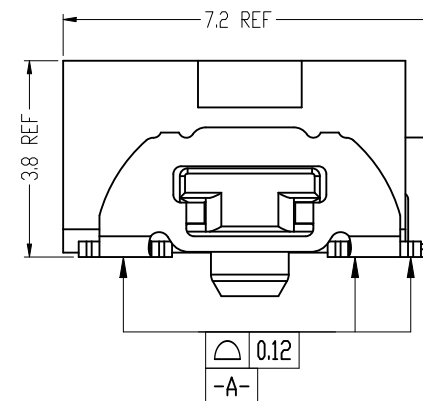
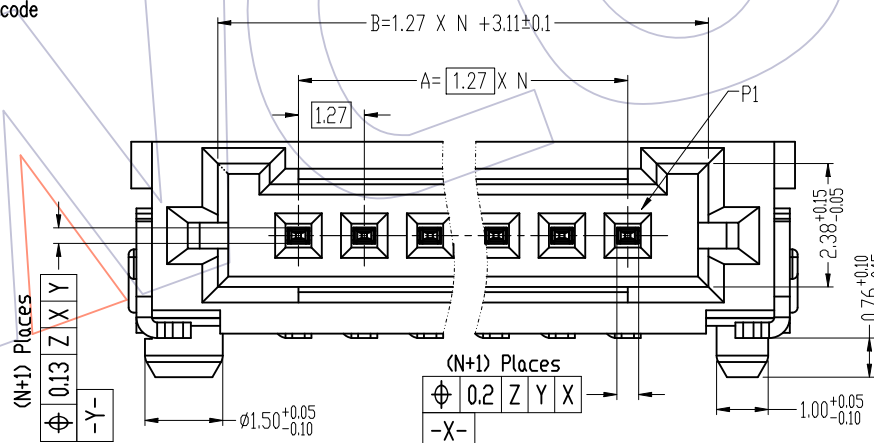
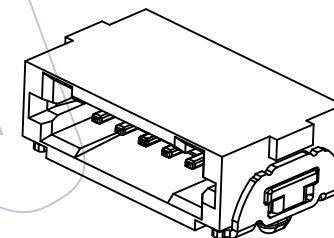
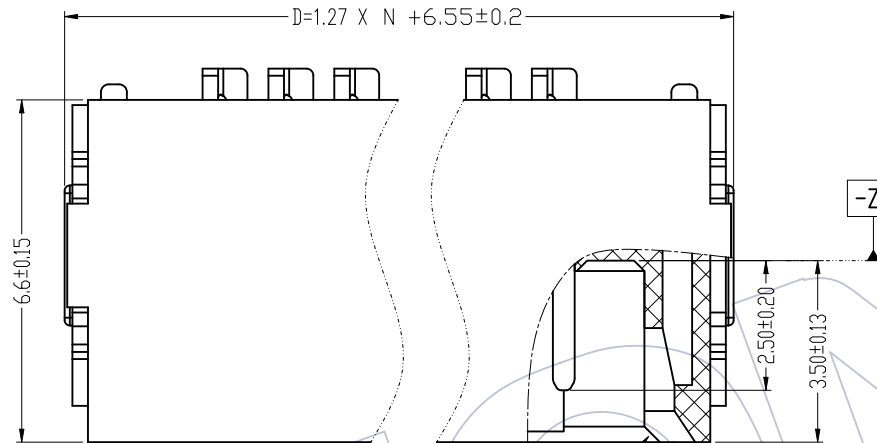
Contact Plating:

W1=3μ" Gold/ Matte Tin
W2=5μ" Gold/Matte Tin
W3=10μ" Gold/Matte Tin

WITH GUIDE PIN AND FIXATOR

WCON internal code
R=Reel
Black

PIN	A	B	C	D	N
2	1.27	4.38	5.69	7.82	1
3	2.54	5.65	6.96	9.09	2
4	3.81	6.92	8.23	10.36	3
6	6.35	9.46	10.77	12.90	5
8	8.89	12.00	13.31	15.44	7
10	11.43	14.54	15.85	17.98	9
12	13.97	17.08	18.39	20.52	11



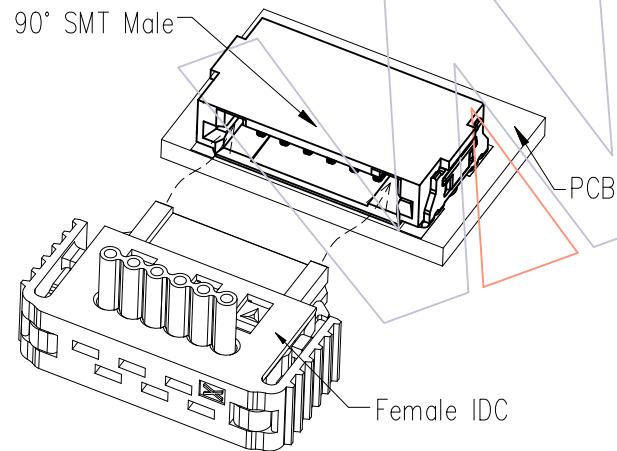
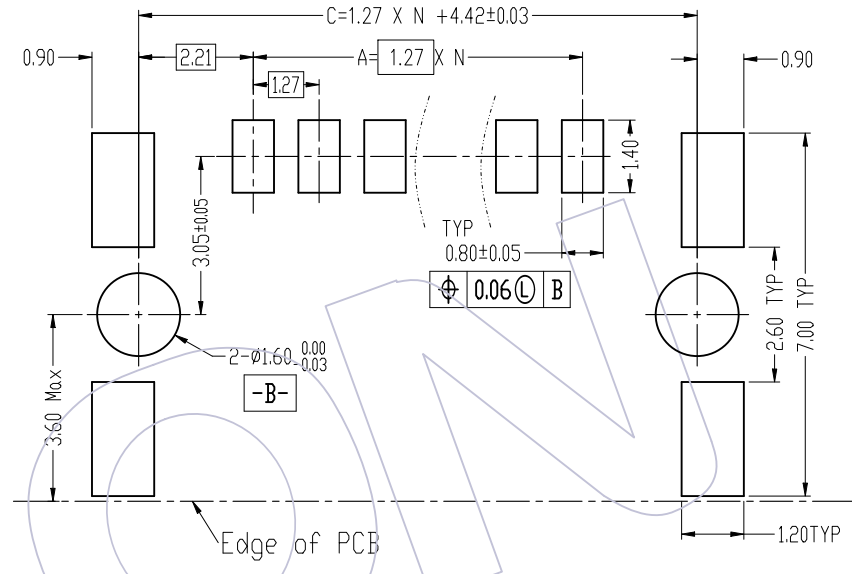
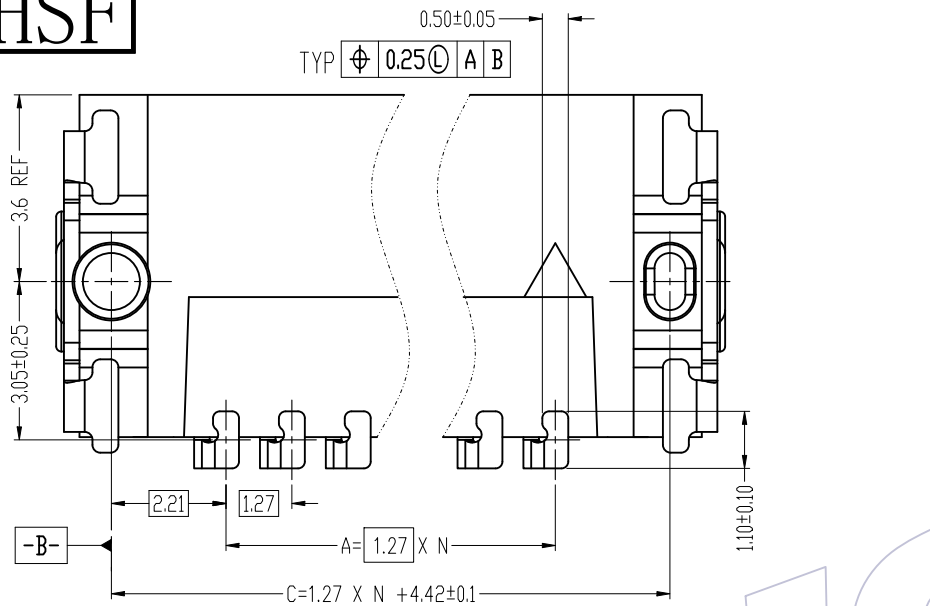
REV	DATE	MODIFICATION	DESCRIPTION	CHANGE	OPERATION	DRAW	DATE	SCALE	FIT	PART NO.
A0	2020. 11. 28		NEW		x.x ±0.40	Houfu Peng	2020. 11. 28	UNIT	mm	3916-PXXX-037ZXXWBR1
					x.xx ±0.25	CHECK	DATE	SIZE	inch	TITLE: 1.27mm MSC conn. Male
					x.xxx ±0.15	APPROVE	DATE	SHEET	A4	90° SMT Type H=3.7
					Angle ± 3°			PROJ.	1/2	Customer NO.
					DIM TOL					

WCON
Http: www.wcon.com

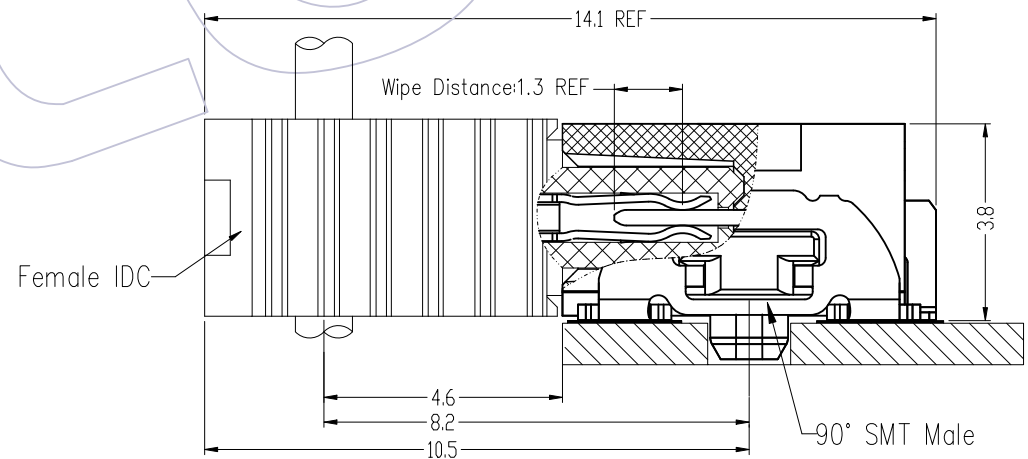
WCON-Dongguan WCON-Kunshan
Tel: +86 769 85358920 Tel: +86 512 57468408
Fax: +86 769 85358915 Fax: +86 512 57468468
E-mail: sales@wcon.com E-mail: salesks@wcon.com

HSF

Recommended P.C.B Layout(Top Side) (PCB BOARD TOLERANCE±0.05)



MATCHING DIAGRAM



INSTALLATION DIAGRAM

				OPERATION		DRAW		DATE		SCALE		FIT		PART NO.		
				x.x ±0.40		Houfu Peng		2020. 11. 28		UNIT		mm		3916-PXXX-037ZXXWBR1		
				x.xx ±0.25		CHECK		DATE		SIZE		A4		TITLE: 1.27mm MSC conn. Male 90° SMT Type H=3.7		
				x.xxx ±0.15		APPROVE		DATE		SHEET		2/2		Customer NO.		
A0		2020. 11. 28		NEW		CHANGE				PROJ.		\varnothing				
REV	DATE	MODIFICATION DESCRIPTION				CHANGE	DIM	TOL								

WCON

Http: www.wcon.com

WCON-Dongguan WCON-Kunshan
Tel: +86 769 85358920 Tel: +86 512 57468408
Fax: +86 769 85358915 Fax: +86 512 57468468
E-mail: sales@wcon.com E-mail: salesks@wcon.com