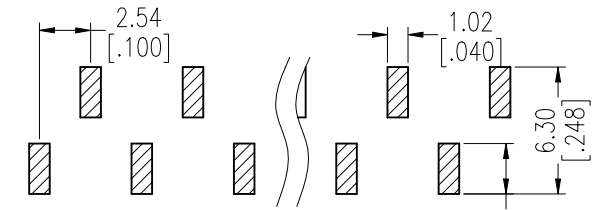
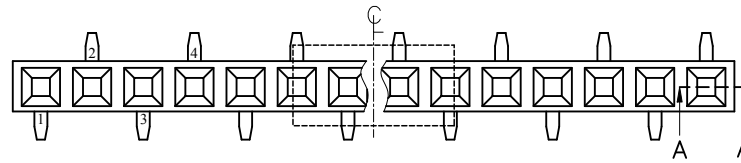


HSF

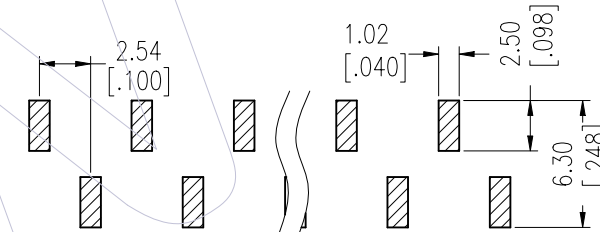
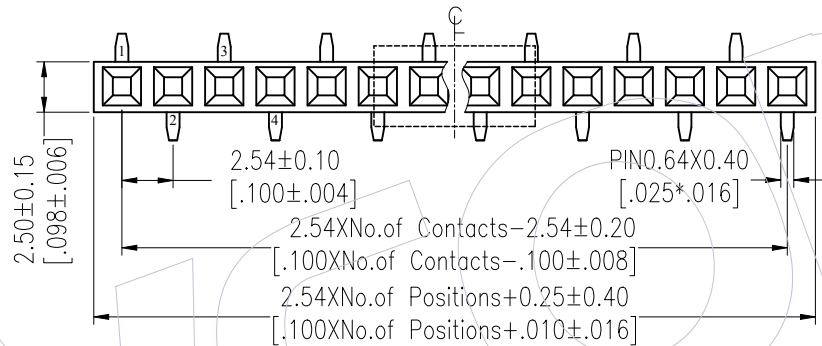
NOTES:
 Rated Current:3.0AMP
 Contact Resistance:20mΩ max
 Withstand Voltage:1000V AC
 Insulation Resistance:1000MΩ min
 Operation Temperature:-40°C to +105°C

Contact Material:Phosphor Bronze or Brass
 Contact Plating:Au Over Ni
 Insulator Material:PA9T+33%G.F UL94V-0

Recommended P.C.B Layout(Top Side)
 (PCB BOARD TOLERANCE±0.05)



Type 1



Type 2

Ordering Information

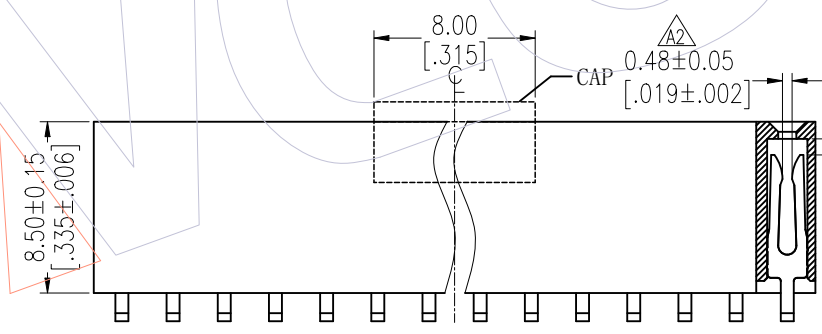
2185 - 1 XX M XX CYN X X

No. of Pins per ROW:02-40PIN

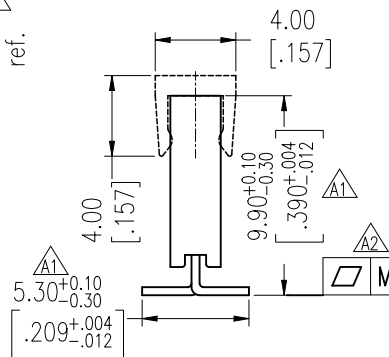
Contact Plating:
 G0=Gold Flash
 G3=10μ"Gold
 G4=15μ"Gold
 G5=30μ"Gold
 S0=Gold Flash/Tin
 S3=10μ"Gold/Tin
 S4=15μ"Gold/Tin
 S5=30μ"Gold/Tin
 SN=Tin
 SM=Matte Tin

Packing:
 T=Tube
 R=Reel
 P=Tube+CAP

Series No.
 1=TYPE 1
 2=TYPE 2



SECTION: A-A



Item	Pitch	Mating
Standard	2.54	1115/1120/1125
Alternate		

Pin(Per Row)	M			TITLE	PART NO.
	2-15P	0.10	0.15	0.18	TYPE 1
16-25P				TYPE 2	2185-1XXMXXCYNX2
26-40P					

REV	DATE	MODIFICATION DESCRIPTION	CHANGE	OPERATION	DRAW	DATE	SCALE	FIT	PART NO.
A2	2023/02/13	Modify Flatness	-----	X.X ±0.40	XSR	2023/02/13	UNIT mm		SEE TABLE
A1	2014/04/14	Modify drawing	-----	X.XX ±0.25	CHECK	DATE	SIZE A4		TITLE:
A0	2012/08/15	NEW	-----	X.XXX ±0.15	APPROVE	DATE	SHEET 1/1		2.54mm Female Header
				Angle ± 3°			PROJ.		SINGLE ROW 180°SMT H=8.5
				DIM TOL					Customer NO.

WCON

Http: www.wcon.com

WCON-Dongguan Tel: +86 769 85358920
 WCON-Kunshan Tel: +86 512 57468408
 Fax: +86 769 85358915
 Fax: +86 512 57468468
 E-mail: sales@wcon.com
 E-mail: salesks@wcon.com