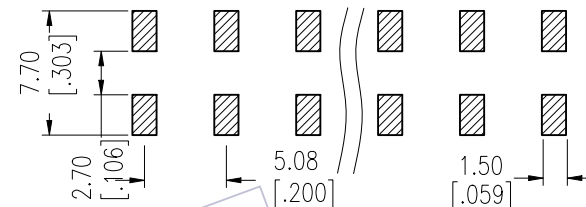
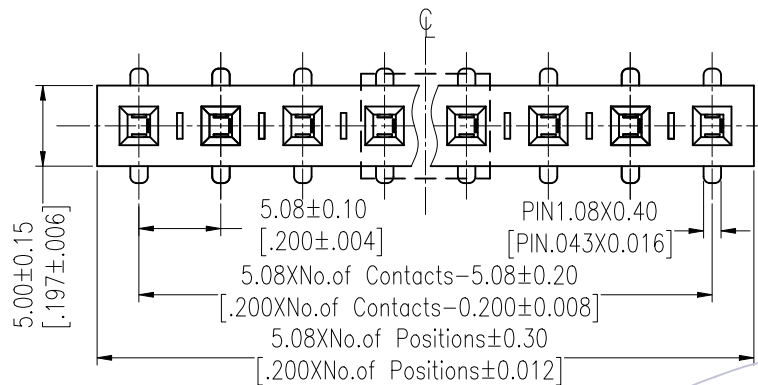


# HSF

NOTES:  
 Rated Current:7.0AMP  
 Contact Resistance:30mΩ max  
 Withstand Voltage:1000V AC  
 Insulation Resistance:1000MΩ min  
 Operation Temperature:-40°C to +105°C

Contact Material:Phosphor Bronze  
 Contact Plating:Sn Over Ni  
 Insulator Material:LCP+30%G.F UL94V-0

Recommended P.C.B Layout(Top Side)  
 (PCB BOARD TOLERANCE±0.05)



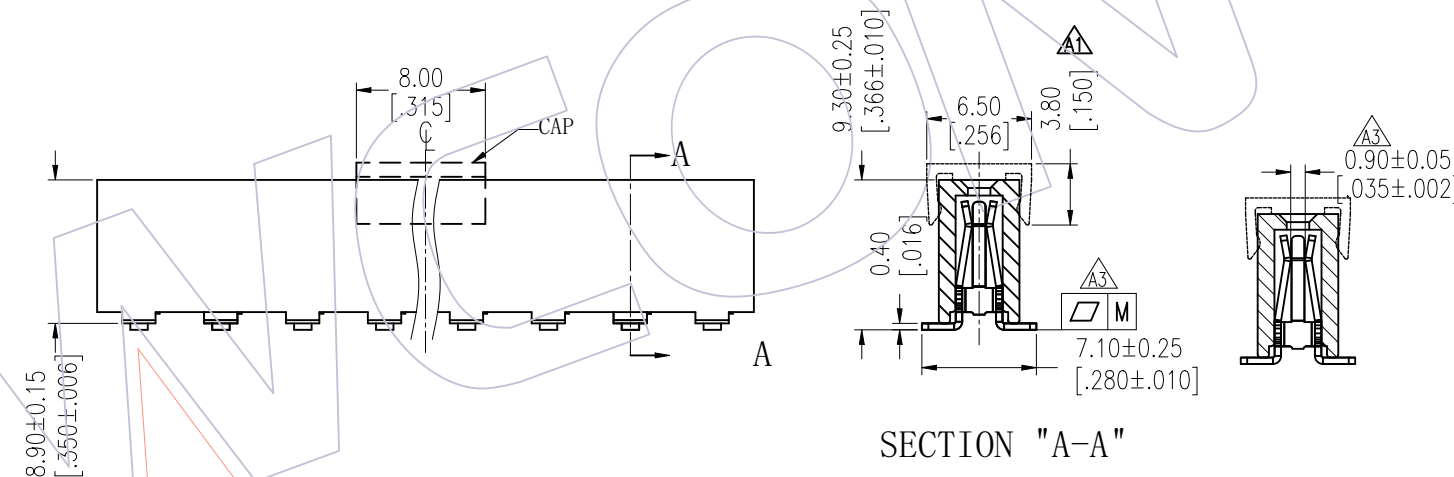
## Ordering Information

2989- 1 XX M XX D UN T 1

No. of Pins per Row: 02~20Pin  
 A2

Contact Plating:  
 SN=Tin  
 SM=Matte Tin

Packing:  
 T=Tube  
 P=Tube+CAP  
 R=Tube&Reel+CAP



SECTION "A-A"

Item	Pitch	Mating
Standard	5.08	1925
Alternate		

A3	Pin(Per Row)	2-10P	11-20P
	M	0.12	0.15

REV	DATE	MODIFICATION DESCRIPTION	CHANGE	OPERATION	DRAW	DATE	SCALE	FIT	PART NO.
A3	2023/02/07	Modify Flatness	-----	X.X	XSR	2023/02/07	UNIT	mm	2989-1XXMXXDUNT1
A2	2017/06/08	Modify	-----	X.XX ±0.40	CHECK		SIZE	A4	TITLE:
A1	2013/06/17	Modify CAP 4.30 → 3.80	-----	X.XXX ±0.25	APPROVE		SHEET	1/1	5.08mm Female Header
A0	2012/07/14	NEW	-----	Angle ± 3°	DATE		PROJ.	Customer NO.	SINGLE SMT H=8.9
				DIM TOL					

# WCON

Http: www.wcon.com

WCON-Dongguan Tel: +86 769 85358920 Fax: +86 769 85358915 E-mail: sales@wcon.com  
 WCON-Kunshan Tel: +86 512 57468408 Fax: +86 512 57468468 E-mail: salesks@wcon.com