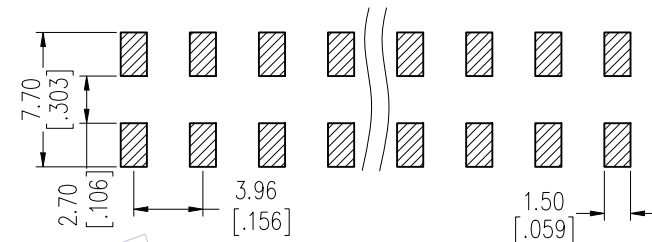
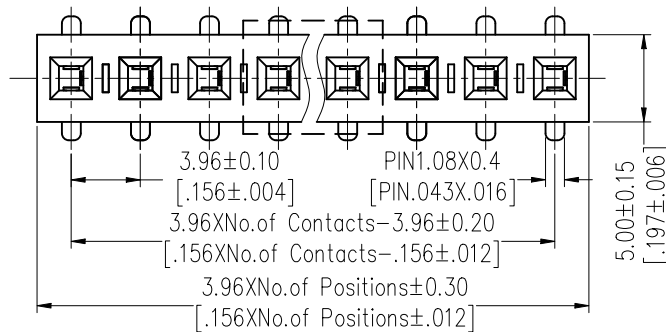


# HSF

Recommended P.C.B Layout (Top Side)  
(PCB BOARD TOLERANCE ±0.05)

NOTES:  
 Rated Current: 7.0AMP  
 Contact Resistance: 30mΩ max  
 Withstand Voltage: 1000V AC  
 Insulation Resistance: 1000MΩ min  
 Operation Temperature: -40°C to +105°C

Contact Material: Phosphor Bronze  
 Contact Plating: Sn Over Ni  
 Insulator Material: LCP+30%G.F UL94V-0



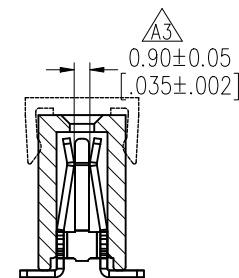
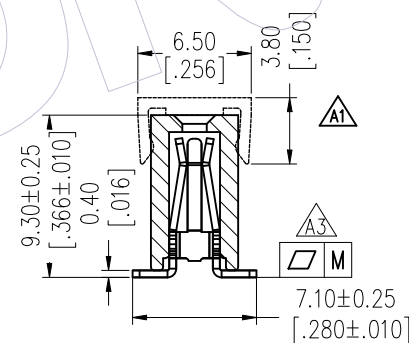
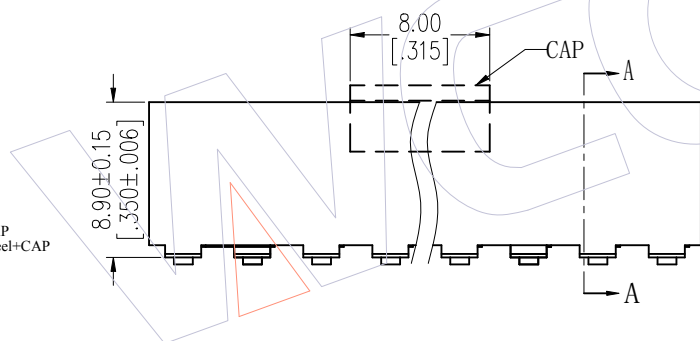
## Ordering Information

2889-1XXMXXDUNT1

No. of Pins per Row: 02-20 Pin  
 A2

Contact Plating:  
 SN=Tin  
 SM=Matte Tin

Packing:  
 T=Tube  
 P=Tube+CAP  
 R=Tube&Reel+CAP



SECTION "A-A"

Item	Pitch	Mating
Standard	3.96	1832
Alternate		

Pin (Per Row)	2-10P	11-20P
M	0.12	0.15

REV	DATE	MODIFICATION DESCRIPTION	CHANGE	DIM	TOL	OPERATION	DRAW	DATE	SCALE	FIT	PART NO.
A3	2023/02/07	Modify Flatness	-----			OPERATION	XSR	2023/02/07	SCALE	FIT	2889-1XXMXXDUNT1
A2	2017/06/08	Modify	-----			X.X			UNIT	mm	TITLE:
A1	2013/06/17	Modify CAP 4.30 → 3.80	-----			X.XX	CHECK		SIZE	A4	3.96mm Female Header SINGLE
A0	2012/08/18	NEW	-----			X.XXX			SHEET	1/1	ROW 180°SMT H=8.9
						Angle	APPROVE		PROJ.		Customer NO.

# WCON

Http: [www.wcon.com](http://www.wcon.com)

WCON-Dongguan Tel: +86 769 85358920 Fax: +86 769 85358915 E-mail: [sales@wcon.com](mailto:sales@wcon.com)  
 WCON-Kunshan Tel: +86 512 57468408 Fax: +86 512 57468468 E-mail: [salesks@wcon.com](mailto:salesks@wcon.com)