

HSF

NOTES:
 Current Rating: 3.0AMP
 Contact Resistance: 20mΩ Max
 Withstand Voltage: 1000V AC/DC
 Insulation Resistance: 1000MΩ Min $\triangle A3$
 Operation Temperature: -40°C to +125°C(Au)
 -40°C to +105°C(Sn)

Contact Material: Phosphor Bronze
 Contact plating: Au Or Sn over Ni
 Insulator Material: PA9T+33%G.F UL94V-0

Ordering Information

2134 - 1 XX R XX CUN X 1

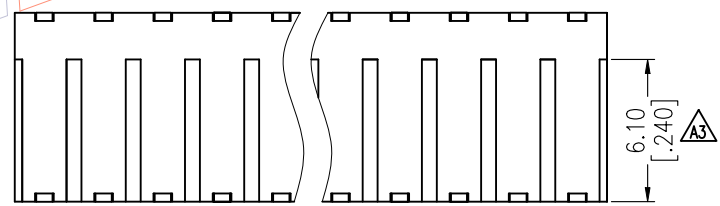
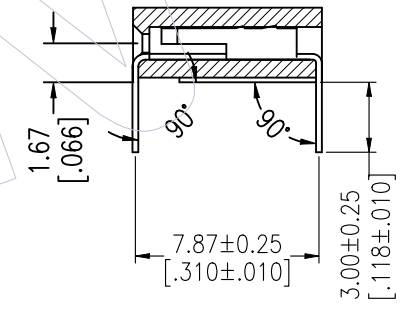
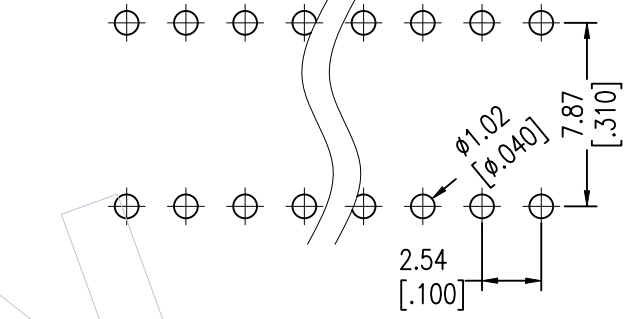
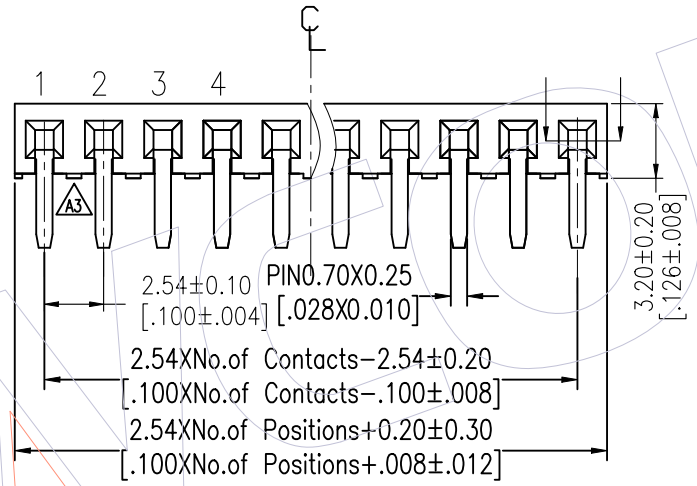
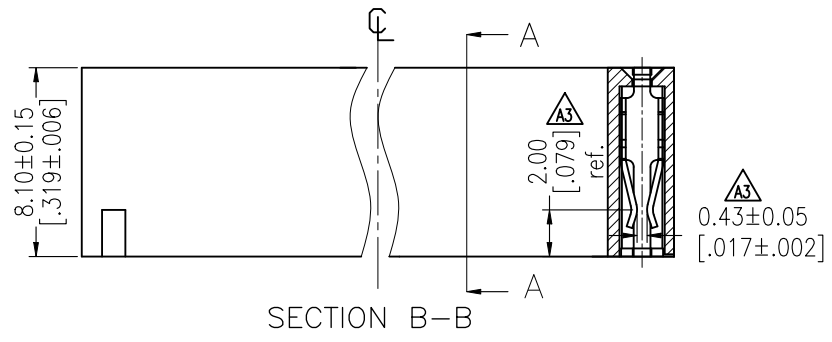
- No. of Pins per ROW: 02-40PIN
- Contact Plating:
 G0=Gold Flash
 G3=10μ"Gold
 G4=15μ"Gold
 G5=30μ"Gold
 S0=Gold Flash/Matte Tin
 S3=10μ"Gold/Matte Tin
 S4=15μ"Gold/Matte Tin
 S5=30μ"Gold/Matte Tin
 SN=Tin
 SM=Matte Tin
- Packing:
 T=Tube
 R=Tube&Reel



Item	Pitch	Mating
Standard	2.54	1125B
Alternate		

REV	DATE	MODIFICATION DESCRIPTION	CHANGE	OPERATION	DRAW	DATE	SCALE	FIT	PART NO.
A3	2020/11/30	Modify Drawing, Add VIEW&DIM.	$\triangle A3$	OPERATION	XSR	2020/11/30	UNIT	mm	2134-1XXRXXCUNX1
A2	2016/11/10	Modify	\triangle	X.X ±0.40	CHECK	DATE	SIZE	A4	TITLE:
A1	2012/08/24	Change the mating object	-----	X.XX ±0.25	APPROVE	DATE	SHEET	1/1	2.54mm FEMALE HEADER SINGLE ROW 90°DIP H=3.20
A0	2012/08/02	NEW	-----	X.XXX ±0.15	DATE	PROJ.	Customer NO.		
				Angle ± 3°					
				DIM TOL					

Recommended P.C.B Layout (Top Side)
 (PCB BOARD TOLERANCE ±0.05)



Http: www.wcon.com
 WCON-Dongguan Tel: +86 769 85358920
 WCON-Kunshan Tel: +86 512 57468408
 Fax: +86 769 85358915 Fax: +86 512 57468468
 E-mail: sales@wcon.com E-mail: salesks@wcon.com