

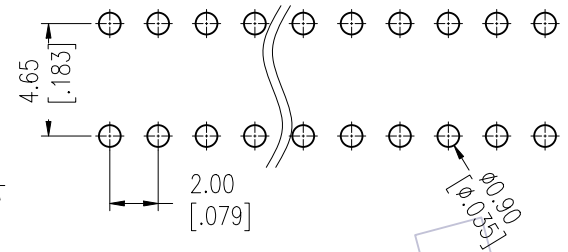
HSF

NOTES:

Current Rating: 2.0AMP
 Contact Resistance: 20mΩ Max
 Withstand Voltage: 500V AC/DC
 Insulation Resistance: 1000MΩ Min
 Operation Temperature: -40°C to +105°C

Contact Material: Phosphor Bronze
 Contact plating: Au Or Sn over Ni
 Insulator Material: PA9T+30%G.F UL94V-0

Recommended P.C.B Layout (Top Side)
 (PCB BOARD TOLERANCE ±0.05)



Ordering Information

2250 - 2 XX R XX CUN X 1

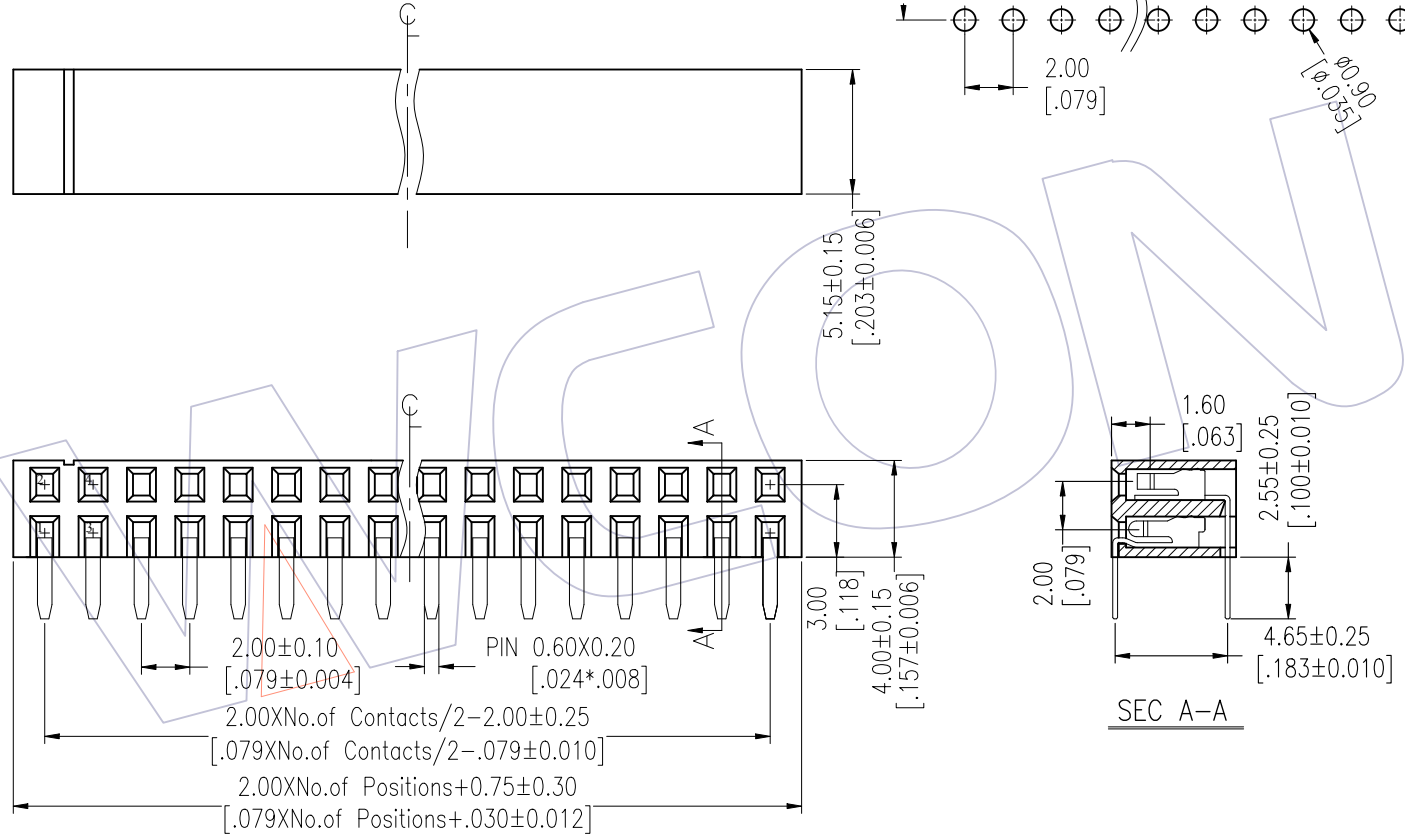
No. of Pins per ROW: 02-40PIN

Contact Plating:

- G0=Gold Flash
- G3=10μ"Gold
- G4=15μ"Gold
- G5=30μ"Gold
- S0=Gold Flash/Tin
- S3=10μ"Gold/Tin
- S4=15μ"Gold/Tin
- S5=30μ"Gold/Tin
- SN=Tin
- SM=Matte Tin

Packing:

- T=Tube
- R=Tube&Reel+CAP



| Item | Pitch | Mating |
|-----------|-------|-----------|
| Standard | 2.00 | 1215/1220 |
| Alternate | | |

| REV | DATE | MODIFICATION DESCRIPTION | CHANGE | OPERATION | DRAW | DATE | SCALE | FIT | PART NO. |
|-----|------|--------------------------|--------|-------------|---------|------------|-------|--------------|---|
| | | | | X.X ±0.40 | JYHuang | 2012/07/14 | UNIT | mm | 2250-2XXRXXCUNX1 |
| | | | | X.XX ±0.25 | CHECK | DATE | SIZE | A4 | |
| | | | | X.XXX ±0.15 | | | SHEET | 1/1 | TITLE: FH2.00mm DUAL ROW 90° DIP SIDE INSERT H=4.00 |
| | | | | Angle ± 3° | APPROVE | DATE | PROJ. | Customer NO. | |
| | | | | DIM | TOL | | | | |

WCON

Http: www.wcon.com

| | |
|--|--|
| WCON-Dongguan | WCON-Kunshan |
| Tel: +86 769 85358920 | Tel: +86 512 57468408 |
| Fax: +86 769 85358915 | Fax: +86 512 57468468 |
| E-mail: sales@wcon.com | E-mail: salesks@wcon.com |