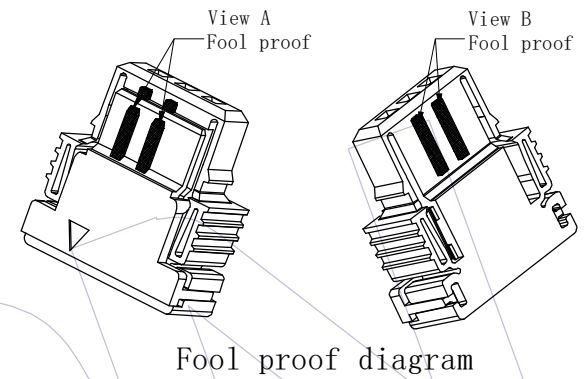
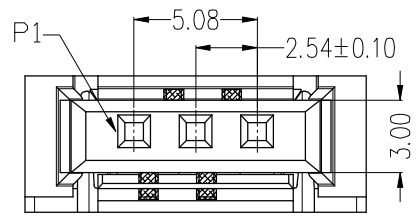


# HSF

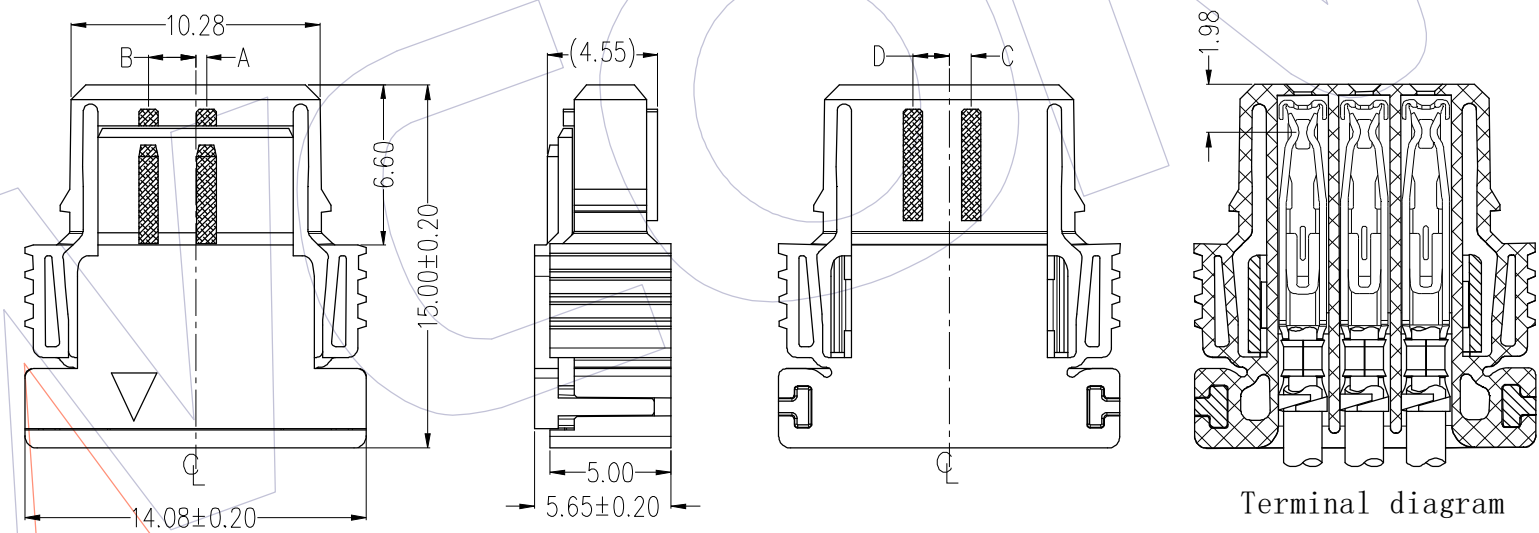
- NOTES:
- No. of Positions: 3 Pin
  - Withstand Voltage: 2000V AC;
  - Insulation Resistance: 1000MΩ Min;
  - Operation Temperature: -55℃ to +125℃;
  - Housing Material: PA46



## Ordering Information

3915-S 03-1 C 00 G E X A 1

Color:  
B=BLACK  
U=BLUE  
G=GREEN  
R=RED



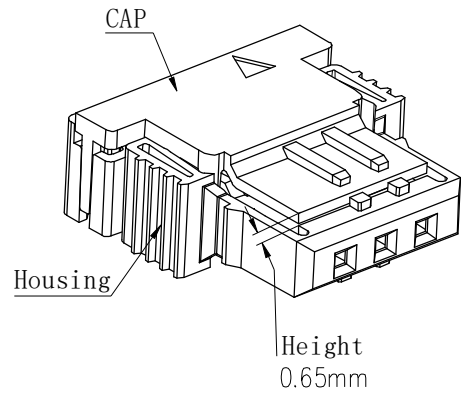
Terminal diagram

PART NO.	COLOR	防呆尺寸			
		A	B	C	D
3915-S03-1C00GEB A1	BLACK	0.45	1.95	0.9	1.5
3915-S03-1C00GEU A1	BLUE	1.35	1.05	1.8	0.6
3915-S03-1C00GEG A1	GREEN	2.25	0.15	2.7	0.3
3915-S03-1C00GER A1	RED	3.15	0.75	3.6	1.2

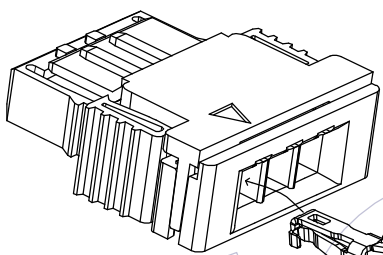
REV	DATE	MODIFICATION DESCRIPTION	CHANGE	OPERATION	DRAW GH	DATE	SCALE	FIT	PART NO.	 Http: www.wcon.com WCON-Dongguan Tel: +86 769 85358920 WCON-Kunshan Tel: +86 512 57468408 Fax: +86 769 85358915 E-mail: sales@wcon.com
A2	2022/09/05	Modified Withstand Voltage	—	x.x ±0.40	GH	2022/09/05	UNIT	mm	3915-S03-1C00GEXA1	
A1	2022/07/22	Terminal Add Fool Proof	—	x.xx ±0.25	CHECK	DATE	SIZE	inch		
A0	2019/12/11	NEW	—	x.xxx ±0.15	APPROVE	DATE	SHEET	A4	TITLE: LSC Connector - Single Row Socket Crimp type (3 PIN)	
				Angle ± 3° DIM TOL			PROJ.	1/2	Customer NO.	

**HSF**

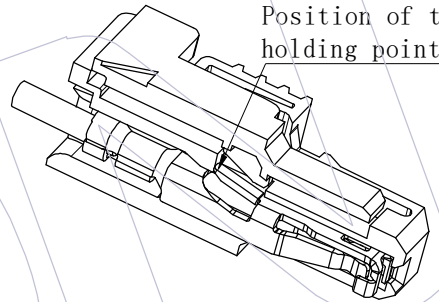
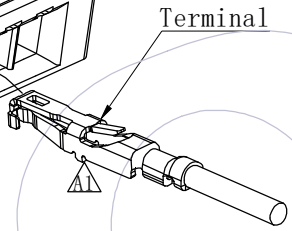
Instructions:



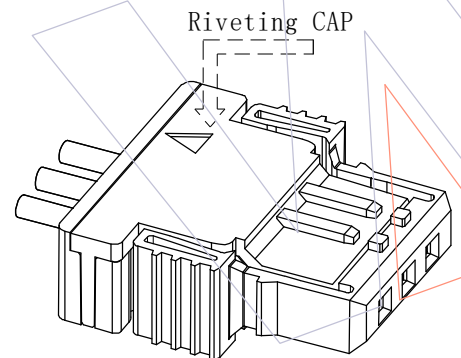
Cover loose mounted



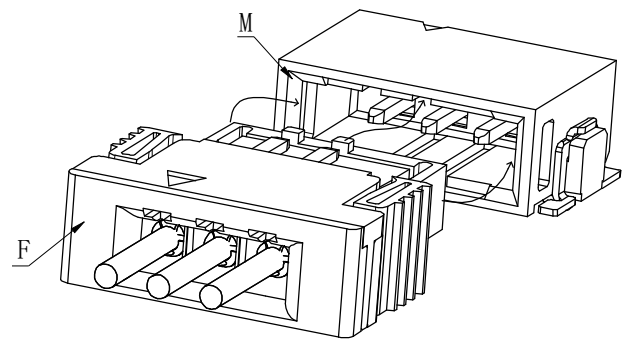
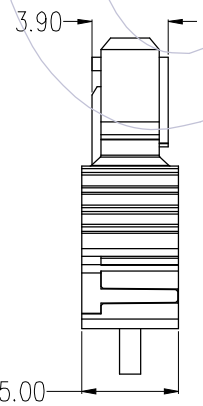
Inserted Female Terminal



Internal structure diagram



Riveting diagram



Male/Female Mate

REV	DATE	MODIFICATION DESCRIPTION	CHANGE	OPERATION	DRAW GH	DATE	SCALE	FIT	PART NO.
A2	2022/09/05	Modified Withstand Voltage	---	x.x ±0.40	GH	2022/09/05	UNIT	mm	3915-S03-1C00GEXA1
A1	2022/07/22	Terminal Add Fool Proof	---	x.xx ±0.25	CHECK	DATE	SIZE	inch	
A0	2019/12/11	NEW	---	x.xxx ±0.15	APPROVE	DATE	SHEET	2/2	TITLE:
				Angle ± 3°			DATE	PROJ.	Customer NO.
				DIM TOL					

**WCON**

Http: www.wcon.com

WCON-Dongguan Tel: +86 769 85358920 Fax: +86 769 85358915 E-mail: sales@wcon.com  
 WCON-Kunshan Tel: +86 512 57468408 Fax: +86 512 57468468 E-mail: salesks@wcon.com