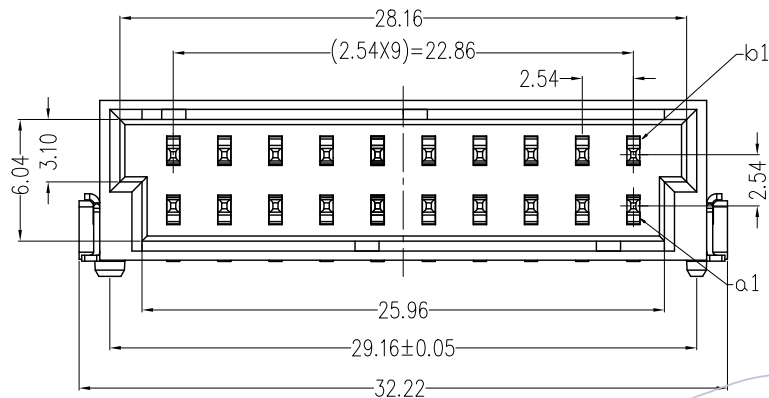
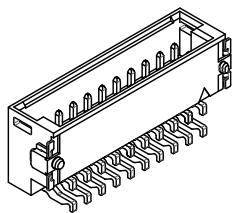


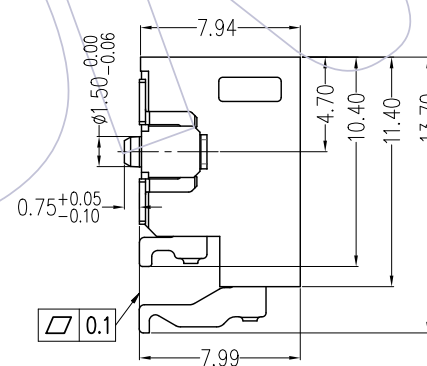
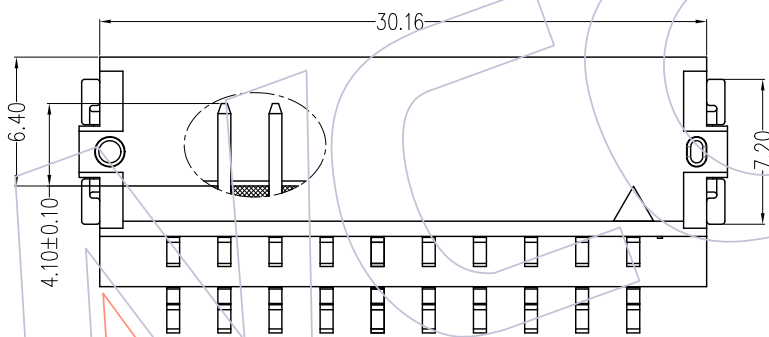
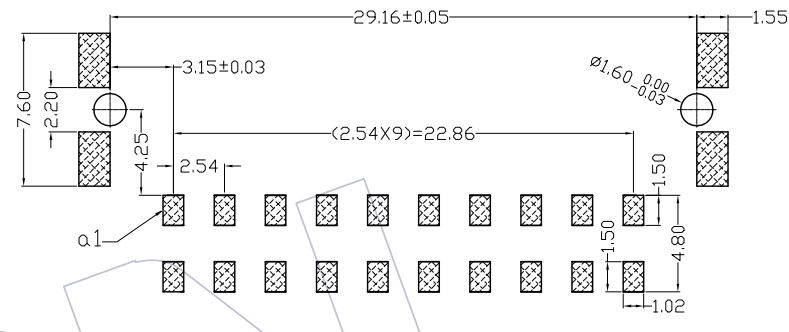
# HSF

- NOTES:
- 1.No.of Positions: 20 Pin
  - 2.Rated Current: 12.0 A Max;
  - 3.Contact Resistance: 20mΩ Max;
  - 4.Withstand Voltage: 2000V AC;
  5. Insulation Resistance: 1000MΩ Min ;
  - 6.Operation Temperature: -55℃ to +150℃ ;

- 7.Contact Material: Copper Alloy
- 8.Contact Plating: Au or Sn Over Ni
9. Insulator Material: High Temperature Thermoplastic(UL94V-0)



Recommended P.C.B Layout(Top Side)  
(PCB BOARD TOLERANCE±0.05)

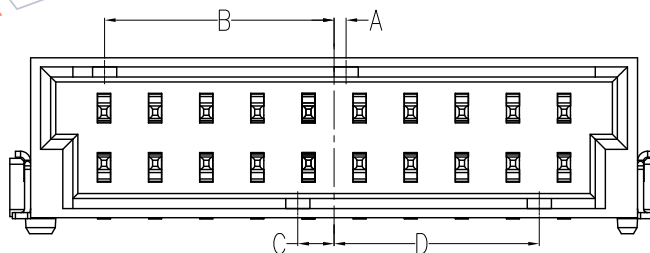


## Ordering Information

3915-P 20-2 Z XX W D X R 1

Contact Plated:  
W3=10u" Gold /Matte Sn  
W4=15u" Gold /Matte Sn  
W5=30u" Gold /Matte Sn

Color:  
B=BLACK  
U=BLUE  
G=GREEN  
R=RED



PART NO.	COLOR	防呆尺寸			
		A	B	C	D
3915-P20-2ZXXWDBR1	BLACK	0.6	11.4	1.8	10.2
3915-P20-2ZXXWDUR1	BLUE	1.8	10.2	3.6	8.4
3915-P20-2ZXXWDGR1	GREEN	3.6	8.4	5.4	6.6
3915-P20-2ZXXWDRR1	RED	5.4	6.6	0.6	11.4

REV	DATE	MODIFICATION DESCRIPTION	CHANGE	OPERATION		DRAW XSR	DATE	SCALE	FIT	PART NO.	TITLE:	WCON	
				x.X	±0.40							UNIT	mm
A0	2019/12/11	NEW		x.XX	±0.25	CHECK	2019/12/11	UNIT	mm	3915-P20-2ZXXWDXR1	LSC Connector - Dual Row 90°SMT Plug (20 PIN)	WCON-Dongguan	WCON-Kunshan
				x.XXX	±0.15	APPROVE		SIZE	A4			Tel: +86 769 85358920	Tel: +86 512 57468408
				Angle	± 3'			SHEET	1/1		Customer NO.	Fax: +86 769 85358915	Fax: +86 512 57468468
				DIM	TOL			PROJ.	◆			E-mail: sales@wcon.com	E-mail: sales@wcon.com