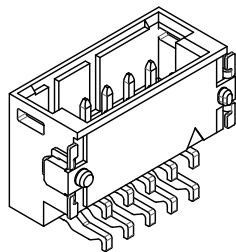


HSF



NOTES:

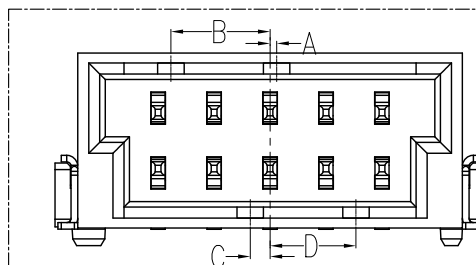
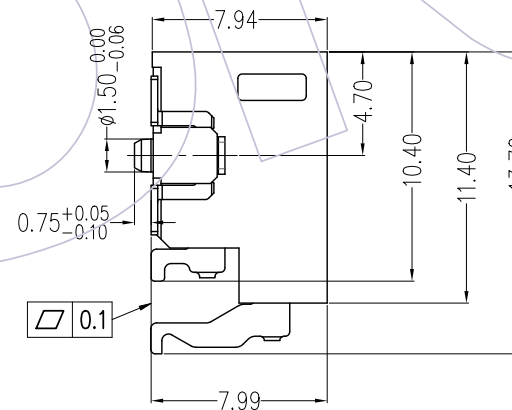
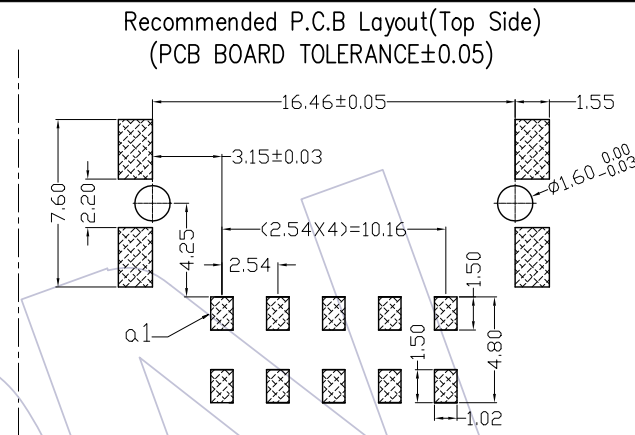
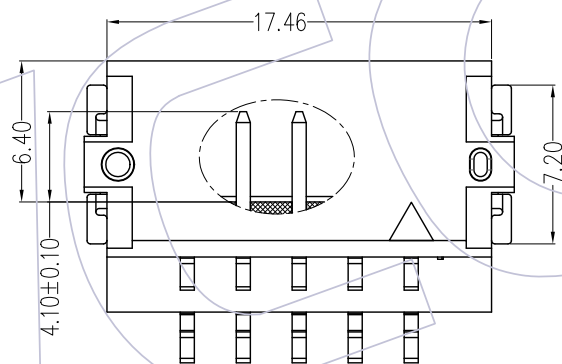
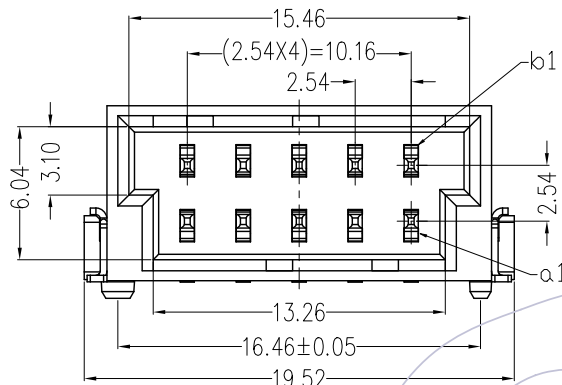
- 1.No.of Positions:10 Pin
- 2.Rated Current:12.0 A Max;
- 3.Contact Resistance: 20mΩ Max;
- 4.Withstand Voltage: 2000V AC;
- 5.Insulation Resistance:1000MΩ Min ;
- 6.Operation Temperature:-55℃ to +150℃ ;
- 7.Housing Material: LCP
- 8.Contact Material:Copper Alloy ;
- 9.Contact Plating: Au over Ni ;

Ordering Information

3915-P 10-2 Z XX W D X R I

Contact Plated:
W3=10u" Gold /Matte Sn
W4=15u" Gold /Matte Sn
W5=30u" Gold /Matte Sn

Color:
B=BLACK
U=BLUE
G=GREEN
R=RED



PART NO.	COLOR	防呆尺寸			
		A	B	C	D
3915-P10-2ZXXWDBR1	BLACK	0.3	4.5	0.9	3.9
3915-P10-2ZXXWDUR1	BLUE	1.5	3.3	2.1	2.7
3915-P10-2ZXXWDGR1	GREEN	2.7	2.1	3.3	1.5
3915-P10-2ZXXWDRR1	RED	3.9	0.9	4.5	0.3

		OPERATION		DRAW Liu	DATE 2019/09/24	SCALE UNIT	FIT mm inch	PART NO. 3915-P10-2ZXXWDXR1	TITLE: LSC Connector - Dual Row 90° SMT Plug (10 PIN)	Customer NO.	 Http: www.wcon.com WCON-Dongguan WCON-Kunshan Tel: +86 769 85358920 Tel: +86 512 57468408 Fax: +86 769 85358915 Fax: +86 512 57468468 E-mail: sales@wcon.com E-mail: salesks@wcon.com	
		x.x	±0.40									
		x.xx	±0.25	APPROVE	DATE	SHEET	1/1					
		x.xxx	±0.15					Angle	± 3'	PROJ.	◆	
AO	2019/09/24	NEW		CHANGE	DIM	TOL						
REV	DATE	MODIFICATION DESCRIPTION	CHANGE									