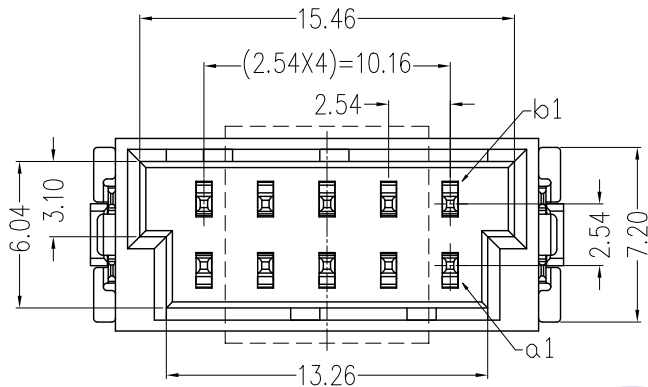
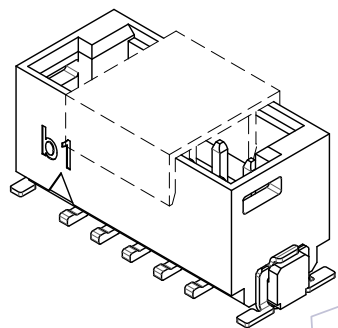
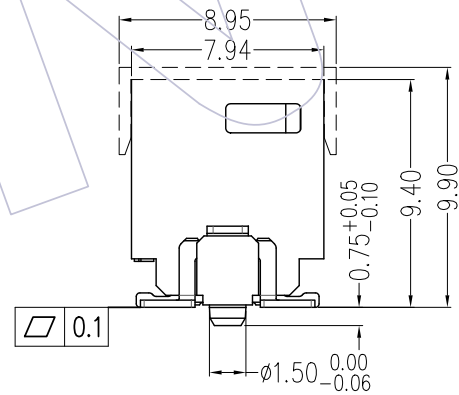
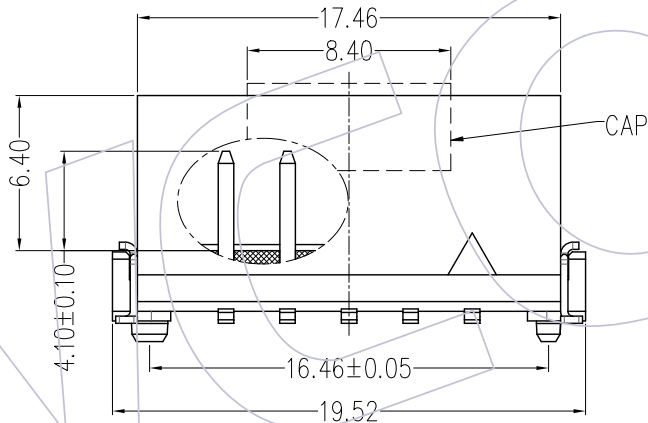
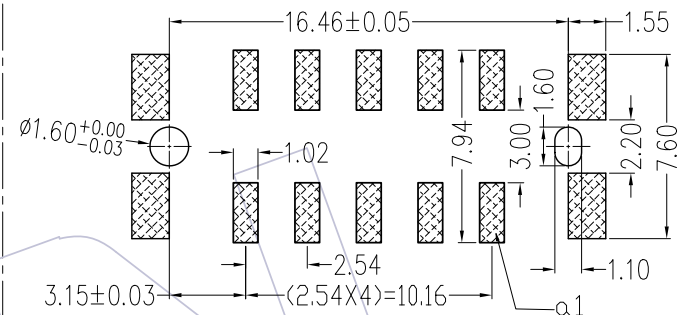


- NOTES:
- 1.No.of Positions:10 Pin
 - 2.Rated Current:12.0 A Max;
 - 3.Contact Resistance: 20mΩ Max;
 - 4.Withstand Voltage: 2000V AC;
 - 5.Insulation Resistance:1000MΩ Min ;
 - 6.Operation Temperature:-55℃ to +150℃ ;
 - 7.Housing Material: LCP
 - 8.Contact Material:Copper Alloy ;
 - 9.Contact Plating: Au over Ni ;



Recommended P.C.B Layout(Top Side)
(PCB BOARD TOLERANCE±0.05)

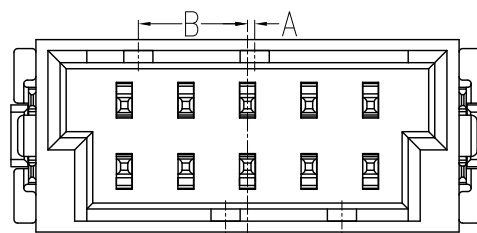


Ordering Information

3915-P 10-2 M XX W D X R 1

Contact Plated:
W3=Sel. 10u" Au/Matte Sn
W4=Sel. 15u" Au/Matte Sn
W5=Sel. 30u" Au/Matte Sn

Color:
B=BLACK
U=BLUE
G=GREEN
R=RED



Stay Basin

PART NO.	COLOR	防呆尺寸			
		A	B	C	D
3915-P10-2MXXWDBR1	BLACK	0.3	4.5	0.9	3.9
3915-P10-2MXXWDUR1	BLUE	1.5	3.3	2.1	2.7
3915-P10-2MXXWDGR1	GREEN	2.7	2.1	3.3	1.5
3915-P10-2MXXWDRR1	RED	3.9	0.9	4.5	0.3

REV	DATE	MODIFICATION DESCRIPTION	CHANGE	OPERATION	DRAW	DATE	SCALE	FIT	PART NO.	TITLE:	Customer NO.
				x.x	±0.40	2019/05/22	UNIT	mm	3915-P10-2MXXWDXR1		
				x.xx	±0.25		SIZE	inch		WCON-Kunshan Tel: +86 512 57468408 Fax: +86 512 57468468 E-mail: sales@wcon.com	
				x.xxx	±0.15		SHEET	A4			
				Angle	± 3'		PROJ.	1/1			
				DIM	TOL						



Http: www.wcon.com

WCON-Dongguan
Tel: +86 769 85358920
Fax: +86 769 85358915
E-mail: sales@wcon.com

WCON-Kunshan
Tel: +86 512 57468408
Fax: +86 512 57468468
E-mail: sales@wcon.com