

# HSF

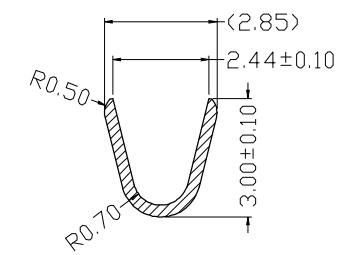
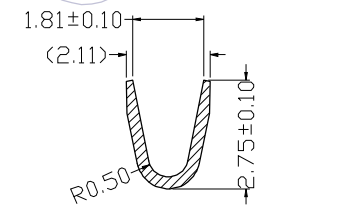
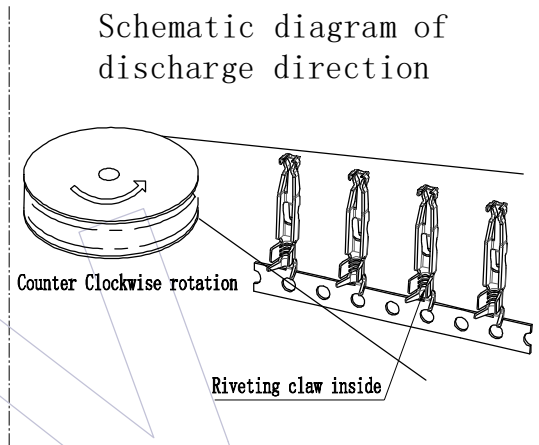
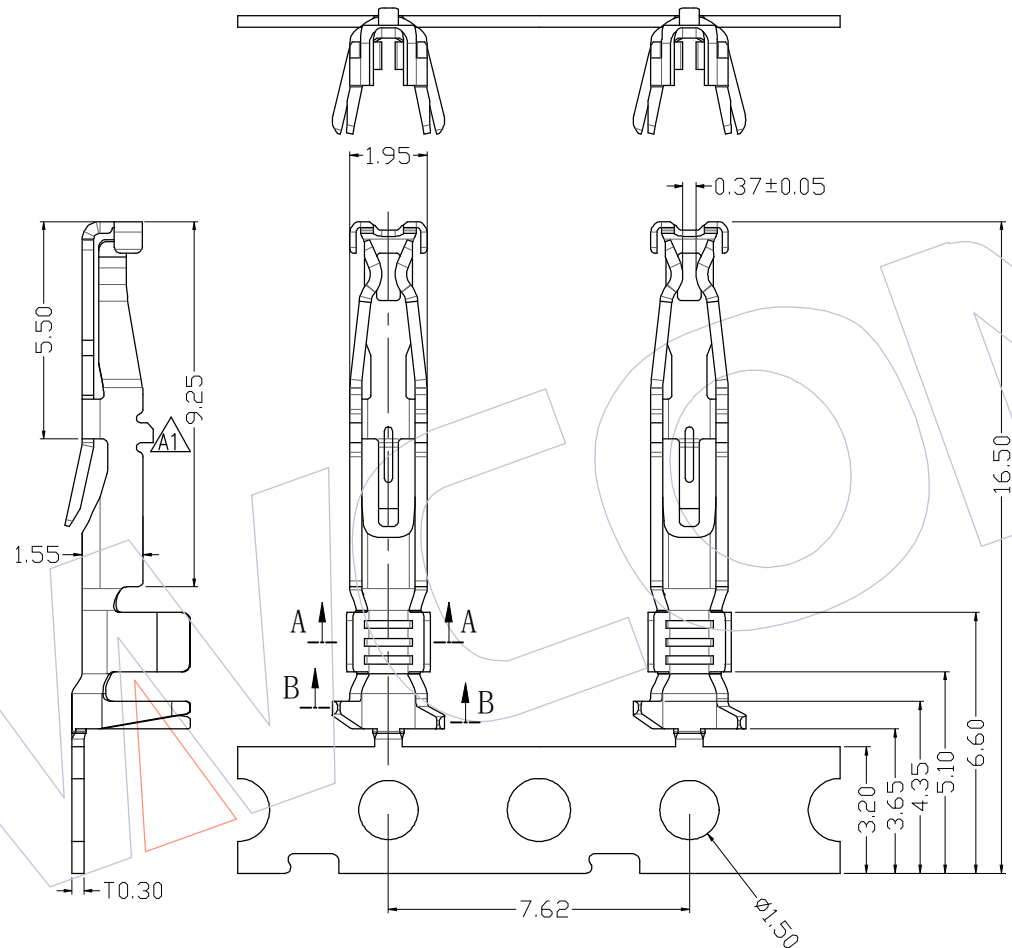
NOTES:  
 Contact Material: Cu-Alloy;  
 Current Rating: 12.0 A Max;  
 Contact Finish: Au and Sn over Ni;  
 Wire Size Range: 20-18AWG;  
 Insulation range: 1.45-1.9mm;

### Ordering Information

3915-4TD3 XX 01

Contact Plated:

- W3=Sel. 10u" Au/Matte Sn
- W4=Sel. 15u" Au/Matte Sn
- W5=Sel. 30u" Au/Matte Sn



线规	18AWG	20AWG
压接高度	1.35±0.05	1.13±0.05
压接宽度	1.90±0.05	1.90±0.05
压缩比	87.6%	87.9%
切片 界面 分析 示意 图		
	SECTION: A-A	SECTION: A-A
	SECTION: B-B	SECTION: B-B

REV	DATE	MODIFICATION DESCRIPTION	CHANGE	OPERATION		DRAW PAN	DATE	SCALE	FIT	PART NO.
				X.X	±0.40					
A1	2021. 10. 29	Add Fool Proof	---	X.XX	±0.25	CHECK	2021. 10. 29	UNIT	mm	3915-4TD3XX01
A0	2018. 08. 30	NEW	---	X.XXX	±0.15			SIZE	A4	
				Angle	± 3'	APPROVE		SHEET	1/1	TITLE: LSC Connector - Crimp Terminal (18/20AWG)
				DIM	TOL			PROJ.		Customer NO.

Http: [www.wcon.com](http://www.wcon.com)

WCON-Dongguan Tel: +86 769 85358920 Fax: +86 769 85358915 E-mail: <a href="mailto:sales@wcon.com">sales@wcon.com</a>	WCON-Kunshan Tel: +86 512 57468408 Fax: +86 512 57468468 E-mail: <a href="mailto:salesks@wcon.com">salesks@wcon.com</a>
---	--