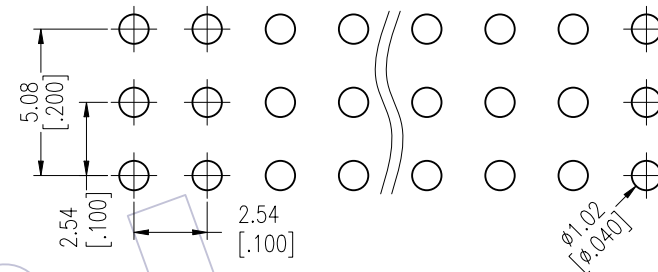
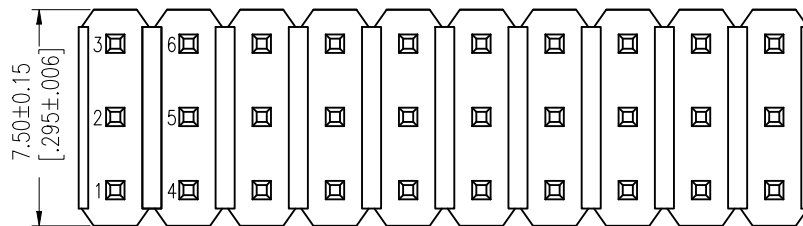


HSF

NOTES:
 Rated Current:3.0AMP.
 Contact Resistance:20mΩ Max.
 Withstand Voltage:1000V AC/DC
 Insulation Resistance:1000MΩ Min.
 Operation Temperature:-40°C to +105°C

Contact Material:Brass
 Contact Plating:Au or Sn Over Ni
 Insulator Material:PA9T+33%G.F UL94V-0 BK

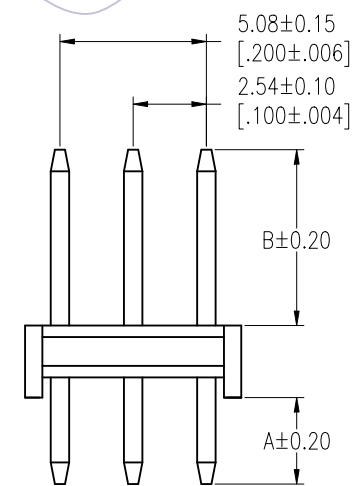
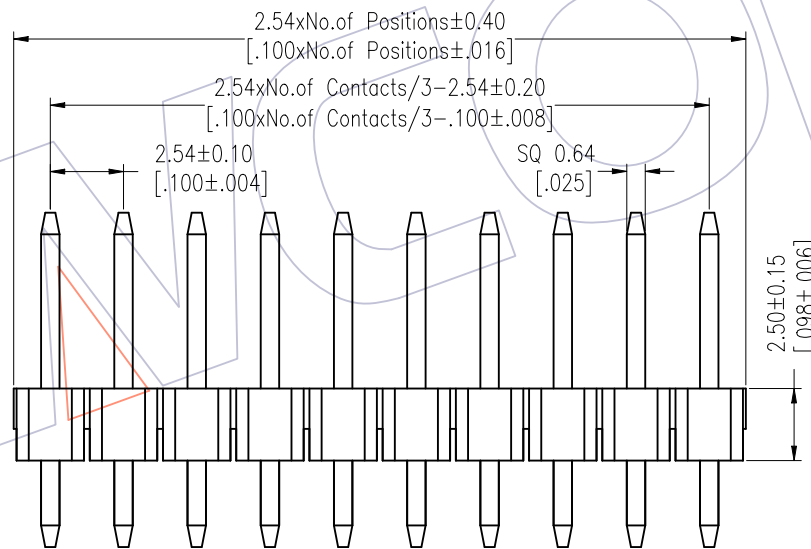
Recommended P.C.B Layout (Top Side)
 (PCB BOARD TOLERANCE±0.05)



Ordering Information

1125-13 XX XX S XXX C 0 XX \triangle A4

No. of Pins Per Row:03~40	Contact Plating G0=Gold Flash G3=10u"Gold G4=15u"Gold G5=30u"Gold S0=Gold Flash/Tin S3=10u"Gold/Tin S4=15u"Gold/Tin S5=30u"Gold/Tin SN=Tin SM=Matte Tin	Pin Length L=A+B+2.5 Standard:116=11.6	Insulator Material C=PA9T	Packing 0=PE Bag T=Tube	Series No. 01~99
------------------------------	---	--	---------------------------------	-------------------------------	---------------------



Item	Pin Length	A	B	Mating
Standard	11.60	3.00	6.10	2185 \triangle A4
Alternate				

REV	DATE	MODIFICATION DESCRIPTION	CHANGE	OPERATION	DRAW	DATE	SCALE	Fit	PART NO.
A4	2018/01/22	Modify P/N	\triangle A4	OPERATION	DRAW	2018/01/22	SCALE	Fit	1125-13XXXXSXXXC0XX
A3	2016/02/19	MODIFY DRAWING	-----	x.X ±0.40	Ruipeng	DATE	UNIT	mm [inch]	TITLE:
A1	2013/02/28	Modify Drawing	-----	x.XX ±0.25	CHECK	DATE	SIZE	A4	PH2.54 THREE ROW S/T H=2.5
A0	2012/06/16	NEW	-----	x.XXX ±0.15	APPROVE	DATE	SHEET	1/1	Customer NO.
				Angle ± 3'			PROJ.	ϕ	
				DIM TOL					

WCON
 Http: www.wcon.com
 WCON-Dongguan Tel: +86 769 85358920
 WCON-Kunshan Tel: +86 512 57468408
 Fax: +86 769 85358915 Fax: +86 512 57468468
 E-mail: sales@wcon.com E-mail: salesks@wcon.com