

# HSF

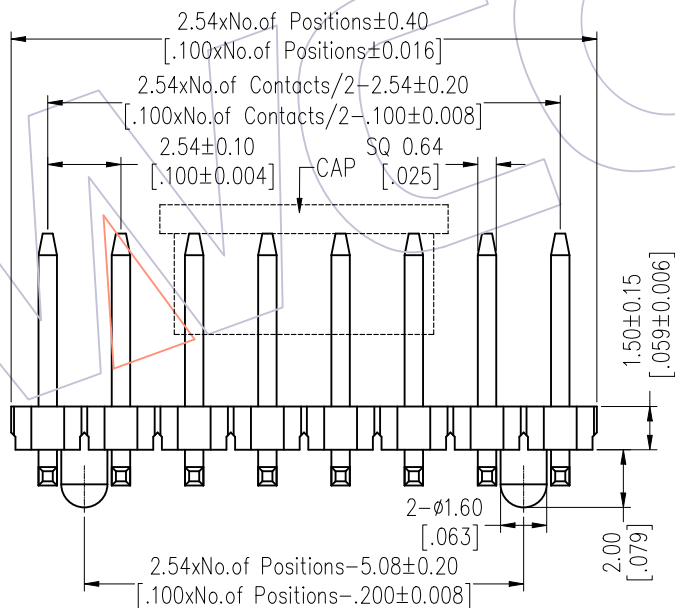
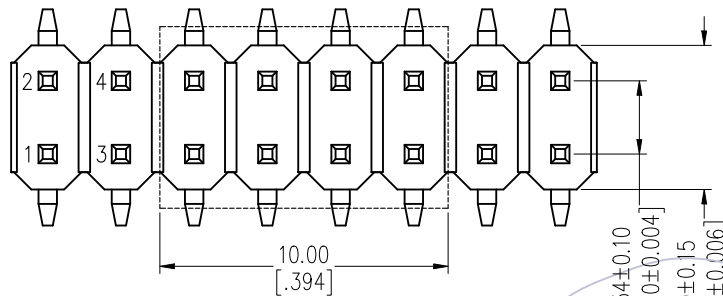
NOTES:  
 Rated Current: 3.0AMP.  
 Contact Resistance: 20mΩ Max.  
 Withstand Voltage: 1000V AC/DC  
 Insulation Resistance: 1000MΩ Min.  
 Operation Temperature: -40°C to +105°C

Contact Material: Brass  
 Contact Plating: Au or Sn Over Ni  
 Insulator Material: PA9T+33%G.F UL94V-0 BK

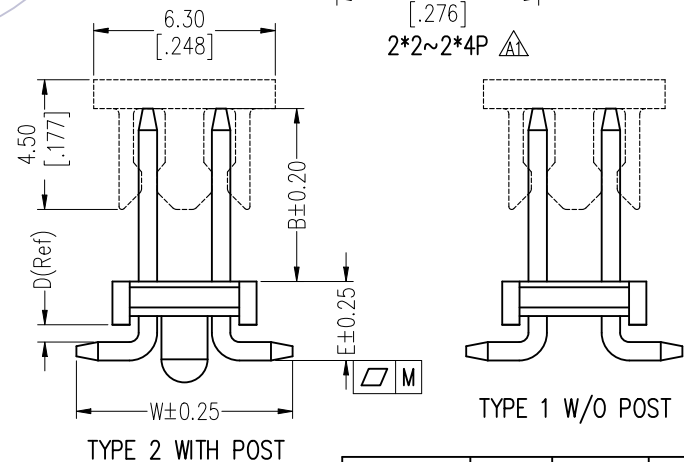
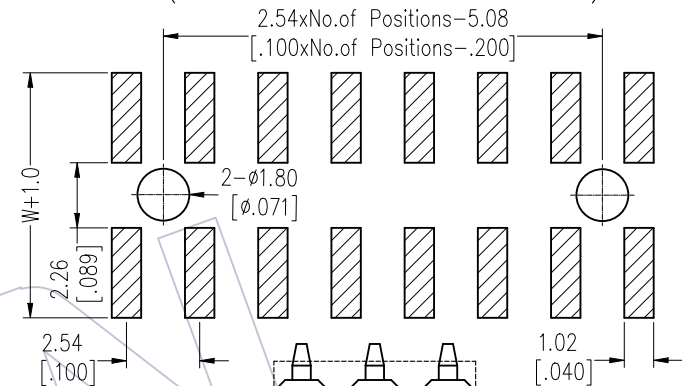
## Ordering Information

1115-12 XX XX M XXX C R XX  $\triangle A2$

No. of Pins Per Row: 02~40	Contact Plating G0=Gold Flash G3=10u"Gold G4=15u"Gold G5=30u"Gold S3=10u"Gold/Tin S4=15u"Gold/Tin S5=30u"Gold/Tin SN=Tin SM=Matte Tin	Pin Length L=B+D+1.5+ $\frac{W-2.54}{2}$ Standard: 105=10.5	Insulator Material C=PA9T	Packing T=Tube P=Tube+CAP R=Tape & Reel+CAP	Series No. 01-99
-------------------------------	--	---	------------------------------	---	---------------------



Recommended P.C.B Layout (Top Side)  
 (PCB BOARD TOLERANCE±0.05)



TYPE 2 WITH POST

TYPE 1 W/O POST

Item	Pin Length	W	E	B	Mating
Standard	10.50	7.50	2.74	6.00	2171 2185
Alternate					

PIN(PerRow)	2-15P	16-25P	26-40P
M	0.10	0.15	0.20

A3	2023/02/02	Add Flatness	$\triangle A3$	DuYing	OPERATION	DRAW	DATE	SCALE	Fit	PART NO.
A2	2018/01/22	Modify P/N	$\triangle A2$	Ruipeng	x.X ±0.40	DuYing	2023/02/02	UNIT	mm	1115-12XXXXMXXRCRXX
A1	2012/10/31	Modify Drawing	-----	-----	x.XX ±0.25	CHECK	DATE	SIZE	A4	TITLE:
A0	2012/05/02	NEW	-----	-----	x.XXX ±0.15	APPROVE	DATE	SHEET	1/1	PH2.54 DUAL ROW SMT
REV	DATE	MODIFICATION DESCRIPTION	CHANGE	-----	Angle ± 3°	APPROVE	DATE	PROJ.	Customer NO.	H=1.5

**WCON**  
 Http: www.wcon.com  
 WCON-Dongguan Tel: +86 769 85358920  
 WCON-Kunshan Tel: +86 512 57468408  
 Fax: +86 769 85358915 Fax: +86 512 57468468  
 E-mail: sales@wcon.com E-mail: salesks@wcon.com