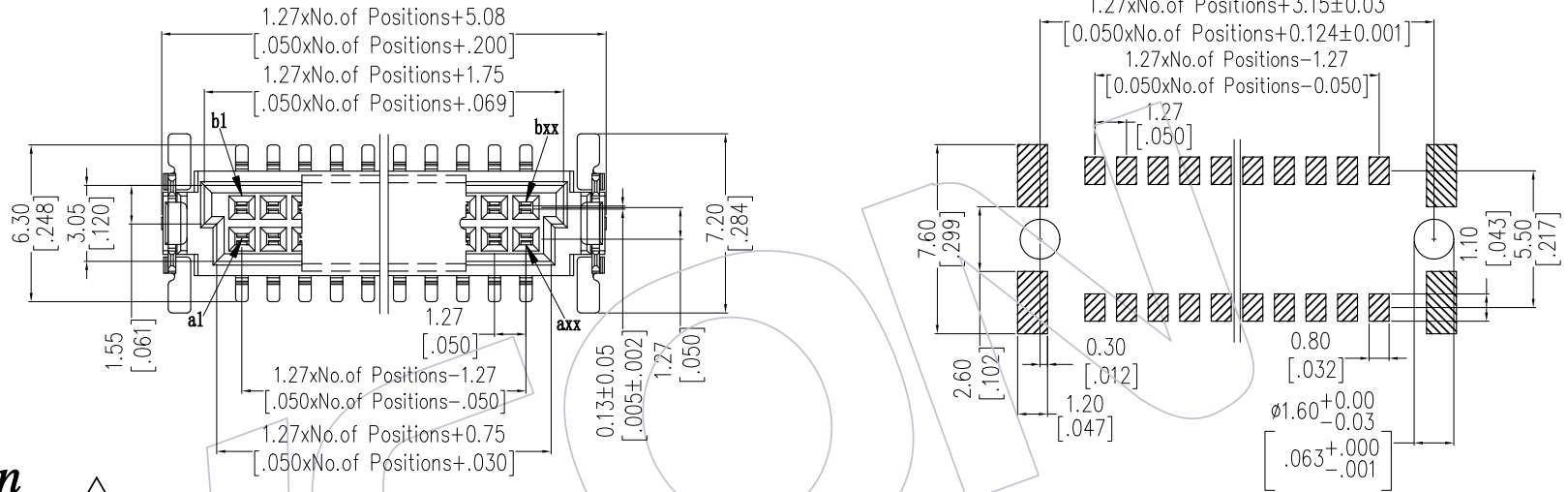


# HSF

NOTES:  
 Rated Current: 0.5~1.0 AMP.  
 Contact Resistance: 25mΩ Max.  
 Withstand Voltage: 500V  
 Insulation Resistance: 10000MΩ Min.  
 Operation Temperature: -55℃ to +125℃

Contact Material: Copper Alloy  
 Contact Plating: Sn and Au over Ni  
 Tail Material: Copper Alloy  
 Tail Plating: Sn over Ni  
 Main Body Material: High Temperature Thermoplastic(UL94V-0)

Recommended P.C.B Layout(Top Side)  
 (PCB BOARD TOLERANCE±0.05)



## Ordering Information

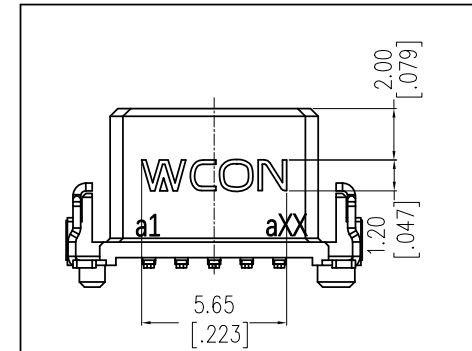
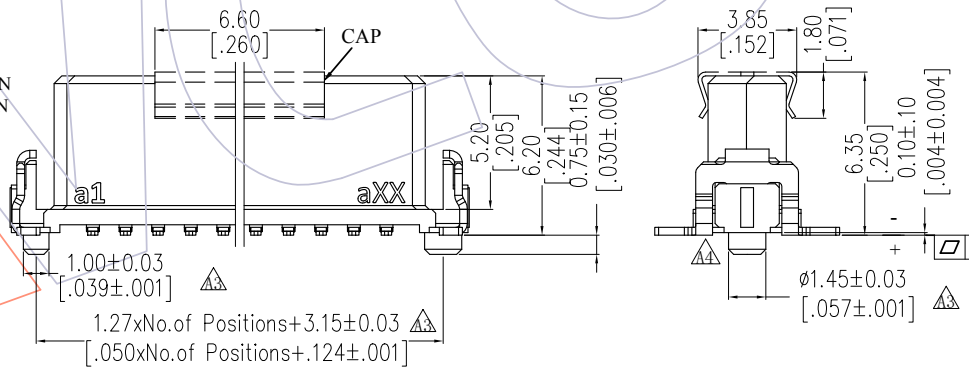
3910-S XXX-062 M XX WR 1 W

No. of Pins  
 010: 10 Pin  
 020: 20 Pin  
 100: 100 Pin

Plating  
 S3=Sel.10U" Gold/Tin  
 S4=Sel.15U" Gold/Tin  
 S5=Sel.30U" Gold/Tin

Package  
 R: Tape & Reel+Cap

Blank=W/O WCON  
 W=W/T WCON



LOGO左右居中

PIN	M
10~40PIN	0.10
42~100PIN	0.15

REV	DATE	MODIFICATION DESCRIPTION	CHANGE	DIM	TOL	APPROVE	DATE	SCALE	UNIT	SHEET	PROJ.	PART NO.	TITLE:	Customer NO.
B0	2020/11/12	Add W/T WCON LOGO SPEC&P/N	XSR				2020/11/12	1:1	mm	1/1		3910-SXXX-062MXXWR1(W)	1.27mm Pitch SDC CONNECTORS FEMALE "E" TYPE, H=6.2(TYPE B)	
A5	2019/12/12	Modify	XSR	x.x	±0.40									
A4	2018/10/25	Modify		x.xx	±0.25	CHECK								
A0	2017/08/28	NEW		x.xxx	±0.15									
				Angle	± 3'	APPROVE								

**WCON**  
 Http: www.wcon.com

WCON-Dongguan  
 Tel: +86 769 85358920  
 Fax: +86 769 85358915  
 E-mail: sales@wcon.com

WCON-Kunshan  
 Tel: +86 512 57468408  
 Fax: +86 512 57468468  
 E-mail: salesks@wcon.com