

HSF

Notes:
 Current rating: 0.5AMP
 Oltage rating: 50V
 Contact resistance: 100mΩ max
 Withstand voltage: 250V AC
 Insulation resistance: 500MΩ min
 Operation temperature: -40℃ to +105℃
 Contact material: copper alloy (t0.20)
 Contact plating:

xu" gold on contact area (see ordering information)
 3u" gold on solder area (ASTM B 488)
 80u" nickel underplating overall (ASTM B 733)
 Hold-down material: copper alloy
 Hold-down plating:
 80u" tin plating over all the pins.
 40u" nickel underplating overall. (ASTM B 733)
 Housing material: grass filled plastics; Black UL94V-0
 Cap material: grass filled plastics; White UL94V-0
 IR soldering, Peak temperature: 260±5℃, 5s ;

Ordering Information

3618 - P XXX - 067 Z XX R 01

No. of pins:
 030=30pin
 120=120pin
 (See table 1)

Housing height:
 067=6.70mm

Packing:
 R=Tape&Reel+CAP

Contact plating:
 G1=3u" Gold
 G2=5u" Gold
 G3=10u" Gold
 G4=15u" Gold
 G5=30u" Gold

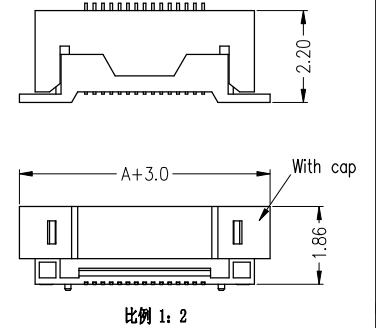
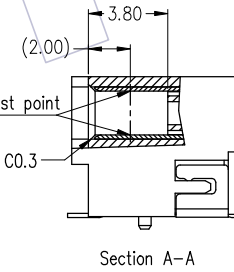
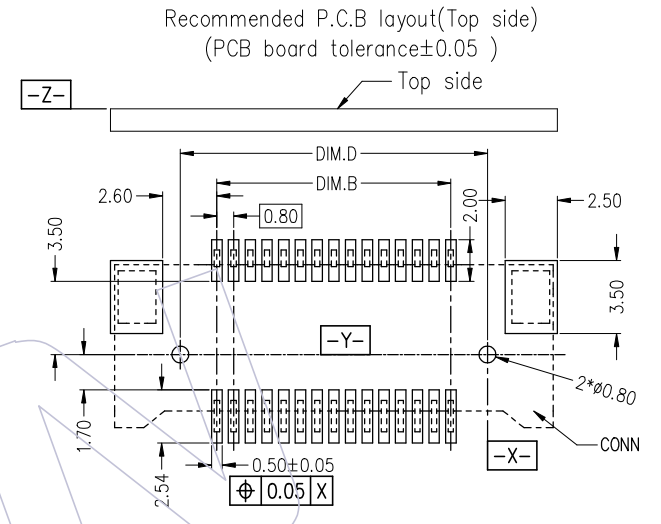
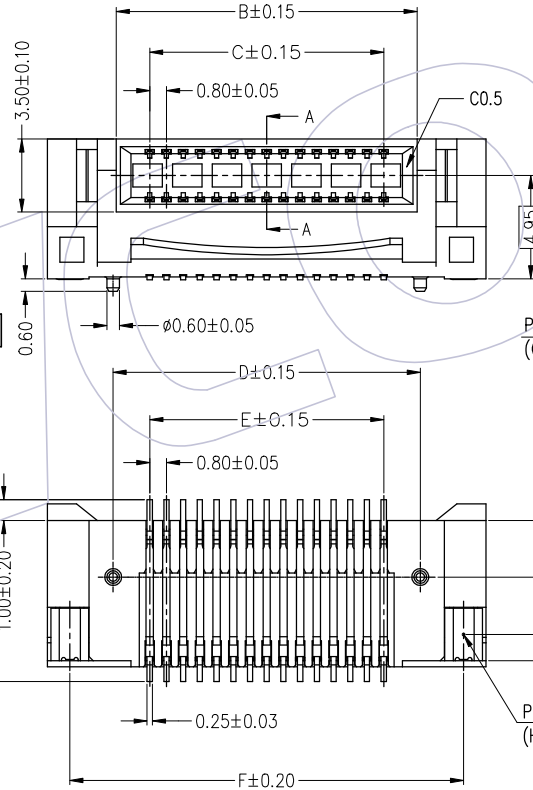
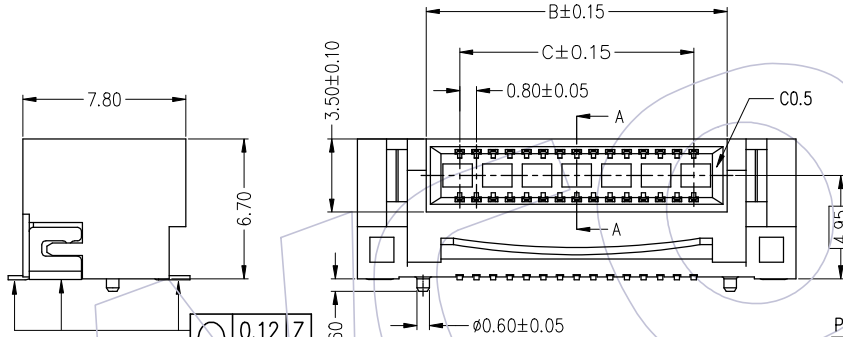
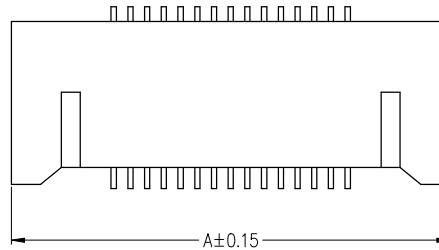
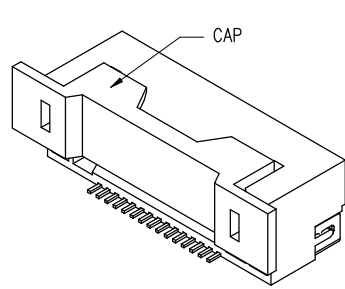


Table 1:

No. of pins:	A	B	C	D	E	F
30	21.0	14.4	11.2	14.7	11.2	18.85
40	25.0	18.4	15.2	20.7	15.2	22.85
50	29.0	22.4	19.2	24.7	19.2	26.85
60	33.0	26.4	23.2	28.7	23.2	30.85
80	41.0	34.4	31.2	36.7	31.2	38.85

			Operation	Draw	Date	Scale	FIT	Part No.
			x.x ±0.40	XIAOBING YE	2021/05/07	Unit	mm	3618-PXXX-067ZXXR01
			x.xx ±0.35	Check	Date	Size	A4	Title:
			x.xxx ±0.15	Approve	Date	Sheet	1/1	0.8mm board to board CONN. Plug SMT Type H=6.70mm
01	2021/05/07	NEW	Angle ± 3°			PROJ.	Customer No.	
Rev	Date	Modification scripction	DIM TOL	Change				

WCON

Http: www.wcon.com

WCON-Dongguan
 Tel: +86 769 85358920
 Fax: +86 769 85358915
 E-mail: sales@wcon.com

WCON-Kunshan
 Tel: +86 512 57468408
 Fax: +86 512 57468468
 E-mail: salesks@wcon.com