

# HSF

**NOTES:**

Current rating: 0.5AMP  
 Voltage rating: 50V  
 Contact resistance: 100mΩ Max  
 Withstand voltage: 250V AC  
 Insulation resistance: 500MΩ Min  
 Temperature range: -40℃ to +105℃  
 Contact material: copper alloy  
 Contact plating:  
 xxu" gold on contact area (see ordering information)  
 3u" gold on solder area (ASTM B 488)  
 80u" nickel underplating overall (ASTM B 733)  
 Hold-down material: copper alloy  
 Hold-down plating:  
 80u" tin plating over all the pins.  
 40u" nickel underplating overall. (ASTM B 733)  
 Housing material: grass filled plastics; Black UL94V-0  
 Cap material: grass filled plastics; White UL94V-0  
 IR soldering, Peak temperature: 260±5℃, 5s ;

**Ordering Information**

**3618 - P XXX - 145 M XX R 01**

No. of pins:  
 030=30Pin  
 120=120Pin  
 (See Table 1)

Housing height:  
 109=10.95mm  
 130=13.05mm  
 145=14.55mm  
 158=15.8mm  
 197=19.75mm

Packing:  
 R=Tape&Reel+cap  
 Contact plating:  
 G1=3u" Gold  
 G2=5u" Gold  
 G3=10u" Gold  
 G4=15u" Gold  
 G5=30u" Gold

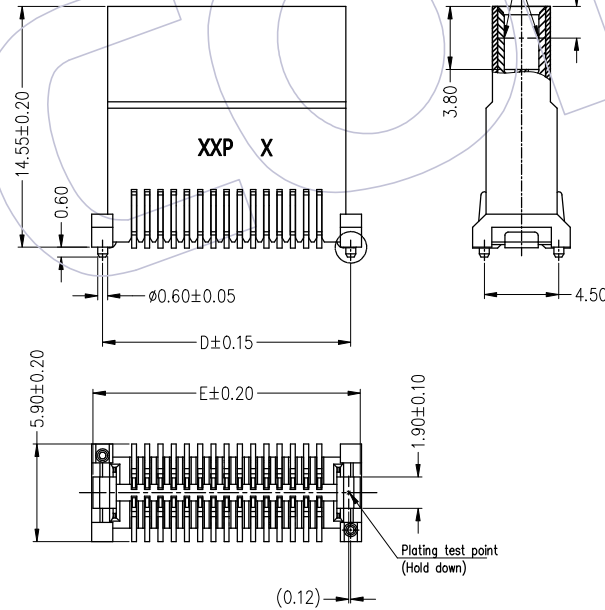
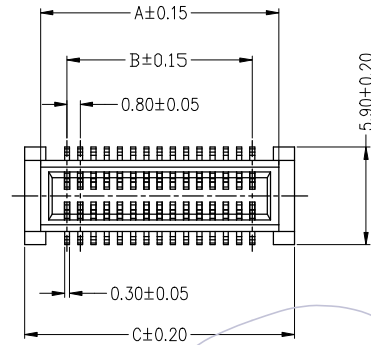
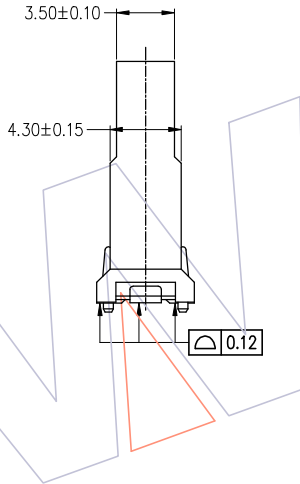
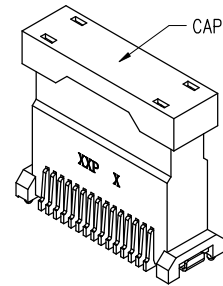


Table 2:

Item	Pitch	Mating
Standard	0.80	3618-SXXX

Recommended P.C.B layout (Top side)  
 (PCB board tolerance ±0.05)

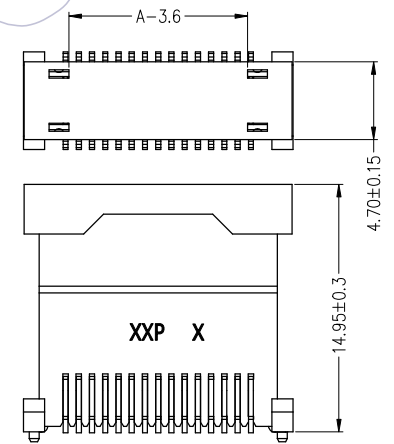
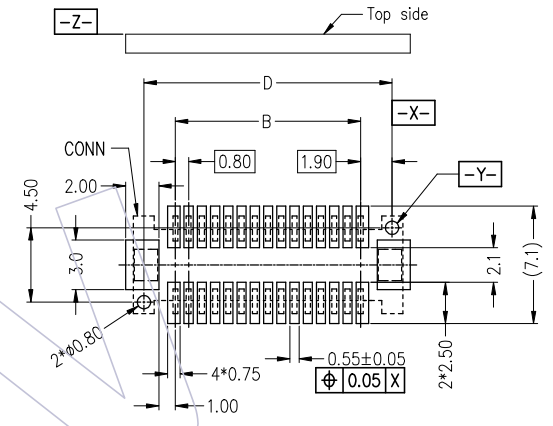


Table 1:

No. of pins:	A	B	C	D	E
30	14.4	11.2	16.3	15.0	16.16
40	18.4	15.2	20.3	19.0	20.16
60	26.4	23.2	28.3	27.0	28.16
80	34.4	31.2	36.3	35.0	36.16

Rev	Date	Modification scription	Change	Operation		Draw	Date	FIT	Part No.
				DIM	TOL				
01	2021/03/22	NEW	-----	x.x	±0.40	XIAOBING YE	2021/03/22	mm	3618-PXXX-145XXR01
				x.xx	±0.35	Check	Date	A4	Title:
				x.xxx	±0.15	Approve	Date	1/1	0.8mm Board To Board conn. Plug SMT Type H=14.55mm
				Angle	± 3°			PROJ.	Customer No.



Http: www.wcon.com

WCON-Dongguan  
 Tel: +86 769 85358920  
 Fax: +86 769 85358915  
 E-mail: sales@wcon.com

WCON-Kunshan  
 Tel: +86 512 57468408  
 Fax: +86 512 57468468  
 E-mail: salesks@wcon.com