

# HSF

NOTES:  
 Current rating: 0.5AMP  
 Voltage rating: 50V  
 Contact resistance: 100mΩ Max  
 Withstand voltage: 250V AC  
 Insulation resistance: 500MΩ Min  
 Temperature range: -40℃ to +105℃

Contact material: copper alloy  
 Contact plating:  
 3u" gold on contact area (see ordering information)  
 80u" nickel underplating overall (ASTM B 733)  
 Hold-down material: copper alloy  
 Hold-down plating:  
 80u" tin plating over all the pins.  
 40u" nickel underplating overall. (ASTM B 733)  
 Housing material: grass filled plastics; Black UL94V-0  
 Cap material: grass filled plastics; White UL94V-0  
 IR soldering, Peak temperature: 260±5℃, 5s ;

## Ordering Information

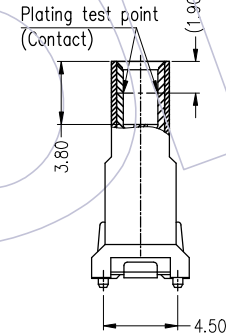
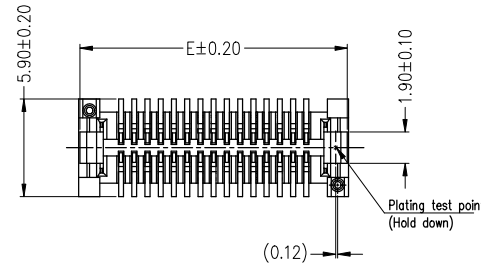
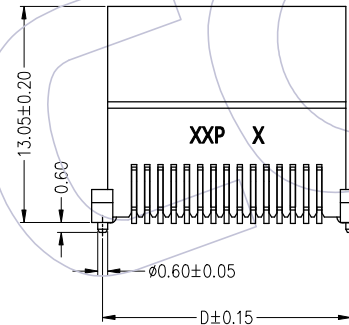
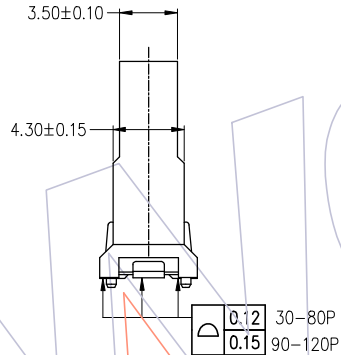
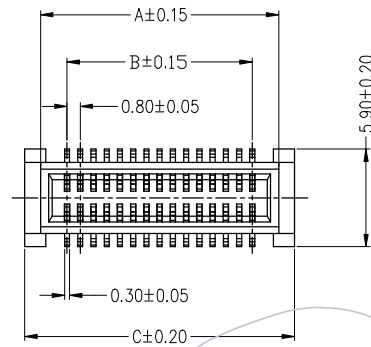
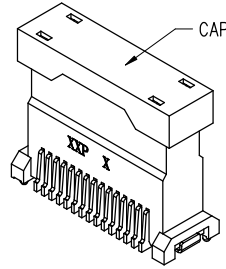
3618 - P XXX - 130 M XX R 01

No. of pins:  
 030=30Pin  
 120=120Pin  
 (See Table 1)

Housing height:  
 109=10.95mm  
 130=13.05mm  
 145=14.55mm  
 158=15.8mm  
 197=19.75mm

Packing:  
 R=Tape&Reel+cap

Contact plating:  
 G1=3u" Gold  
 G2=5u" Gold  
 G3=10u" Gold  
 G4=15u" Gold  
 G5=30u" Gold



Recommended P.C.B layout (Top side)  
 (PCB board tolerance ±0.05)

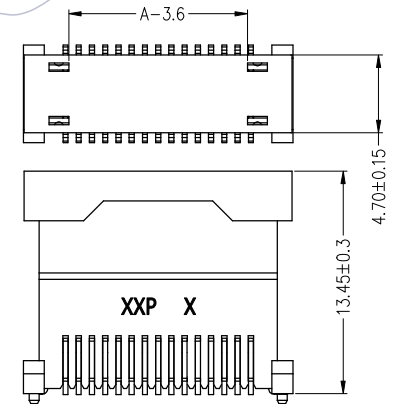
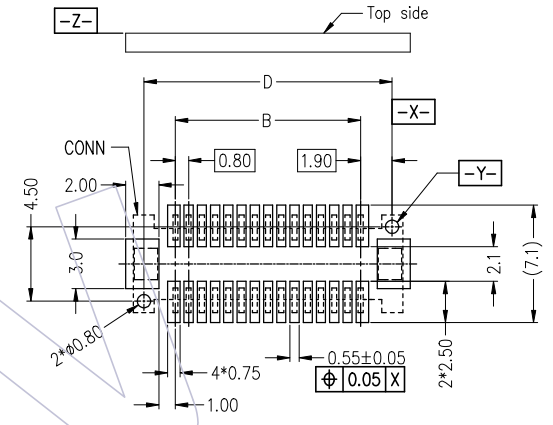


Table 2:

Item	Pitch	Mating
Standard	0.80	3618-SXXX

Table 1:

No. of pins:	A	B	C	D	E	F
30	14.4	13.0	15.0	16.3	13.54	11.2
40	18.4	17.0	19.0	20.3	17.54	15.2
50	22.4	21.0	23.0	24.3	21.54	19.2
60	26.4	25.0	27.0	28.3	25.54	23.2
80	34.4	33.0	35.0	36.3	33.54	31.2
100	42.4	41.0	43.0	44.3	41.54	39.2

Operation		Draw	Date	FIT	Part No.
x.x	±0.40	XIAOBING YE	2021/03/22	mm	3618-PXXX-130XXR01
x.xx	±0.35	Check	Date	A4	Title:
x.xxx	±0.15	Approve	Date	1/1	0.8mm Board To Board conn. Plug SMT Type H=13.05mm
Angle	± 3°			PROJ.	Customer No.
DIM	TOL				

Rev	Date	Modification scription	Change
01	2021/03/22	NEW	-----

# WCON

Http: www.wcon.com

WCON-Dongguan  
 Tel: +86 769 85358920  
 Fax: +86 769 85358915  
 E-mail: sales@wcon.com

WCON-Kunshan  
 Tel: +86 512 57468408  
 Fax: +86 512 57468468  
 E-mail: salesks@wcon.com