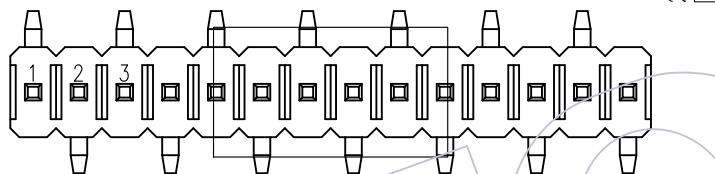
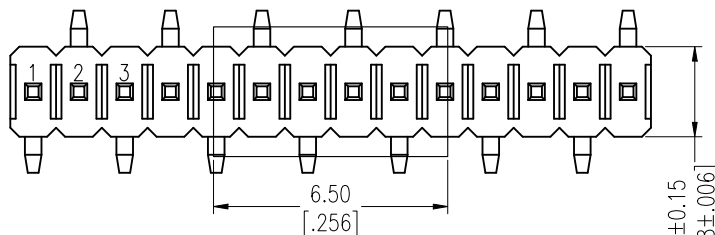


HSF

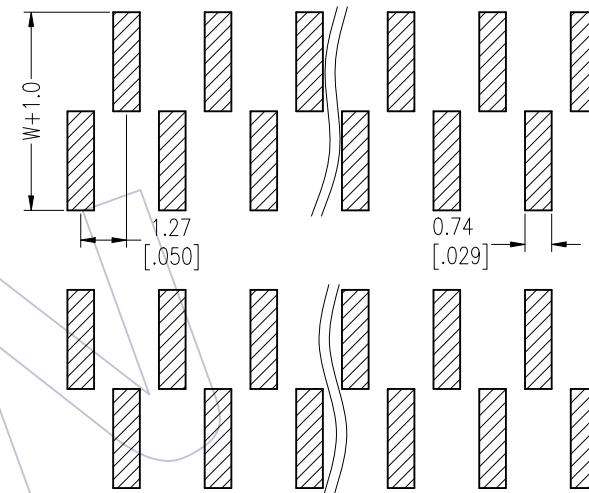
NOTES:
 Rated Current:1.0AMP.
 Contact Resistance:20mΩ Max.
 Withstand Voltage:500V AC/DC
 Insulation Resistance:1000MΩ Min.
 Operation Temperature:-40°C to +105°C

Contact Material:Brass
 Contact Plating:Au or Sn Over Ni
 Insulator Material:PA9T+33%G.F UL94V-O BK

Recommended P.C.B Layout (Top Side)
 (PCB BOARD TOLERANCE±0.05)



TYPE-1

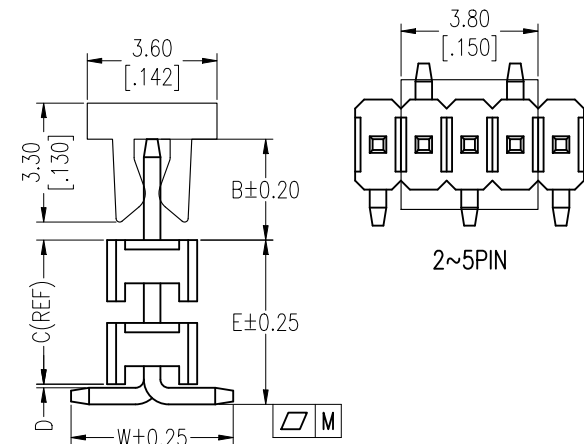
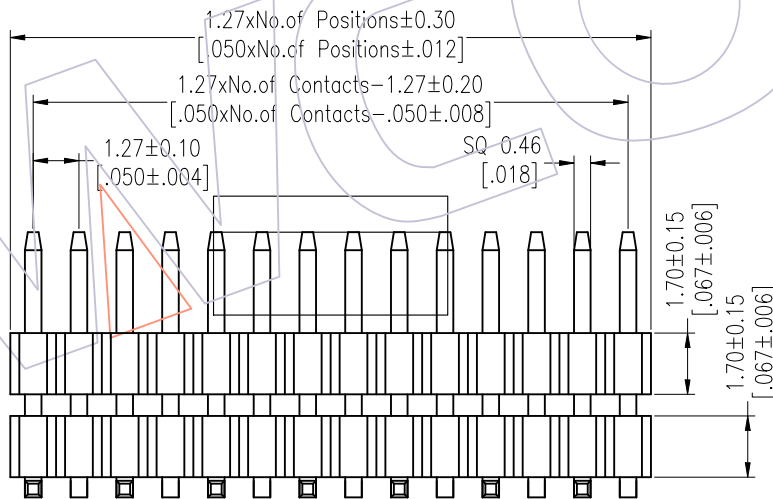


TYPE-2

Ordering Information

1317-21 XX XX M XXX C R XX

No.of Pins	Contact Plating	Pin Length	Insulator	Packing	Series No.
02-50	G0=Gold Flash	L=B+C+D+ $\frac{W}{2}$	C=PA9T	A=Tray	01-99
	G3=10u"Gold			T=Tube	
	G4=15u"Gold			P=Tube+CAP	
	G5=30u"Gold			R=Tape&Reel+CAP	
	S0=Gold Flash/Tin				
	S3=10u"Gold/Tin				
	S4=15u"Gold/Tin				
	S5=30u"Gold/Tin				
	SN=Tin				
	SM=Matte Tin				



Item	Pin Length	W	D	B	E	Mating
Standard	--	4.50	0.10	2.80	--	2346
Alternate	--	4.50	0.10	6.00	--	2385

PIN(PerRow)	2-15P	16-30P	31-50P	△2
M	0.10	0.15	0.18	

REV	DATE	MODIFICATION DESCRIPTION	CHANGE	OPERATION	DRAW	DATE	SCALE	Fit	PART NO.
A2	2023/02/02	Add Flatness	△2	Du Ying	X.X ±0.40	2023/02/02	UNIT	mm [inch]	1317-21XXXXMXXXCXXX △2
A1	2018/01/17	MODIFY PART NO.	△1	William Chen	X.XX ±0.25	DATE	SIZE	A4	TITLE: 1.27 Pin Header, SINGLE ROW, SMT, DOUBLE PLASTIC, H=1.7
A0	2012/03/16	NEW	-----	-----	X.XXX ±0.15	DATE	SHEET	1/1	Customer NO.
REV	DATE	MODIFICATION DESCRIPTION	CHANGE	OPERATION	DIM TOL	DATE	PROJ.		

WCON

Http: www.wcon.com

WCON-Dongguan Tel: +86 769 85358920
 WCON-Kunshan Tel: +86 512 57468408
 Fax: +86 769 85358915
 Fax: +86 512 57468468
 E-mail: sales@wcon.com
 E-mail: salesks@wcon.com