
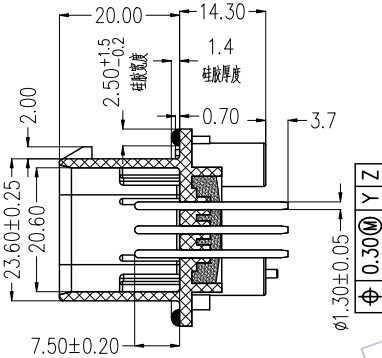
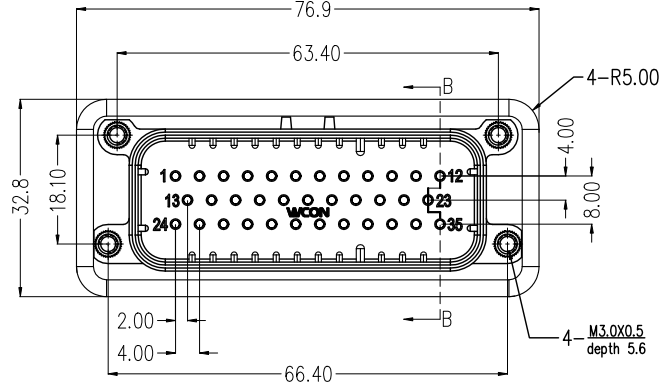
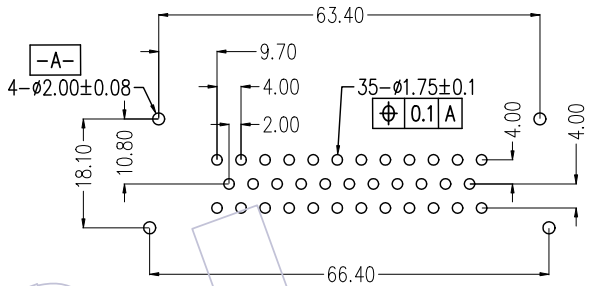


NOTES: 
 Rated Current: 5-8A
 Rated Voltage: 250V AC
 Contact Resistance: 10mΩ Max.
 Withstand Voltage: 1000V
 Insulation Resistance: 5000MΩ Min.
 Operation Temperature:
 Tin Plating: -40℃ to +125℃
 Gold Plating: -40℃ to +125℃

Contact Material: Copper Alloy
 Contact Plating: Sn or Au over Ni
 Main Body Material: PBT+30%GF Grey
 Waterproof grade: IP68/IP69K(After installation)



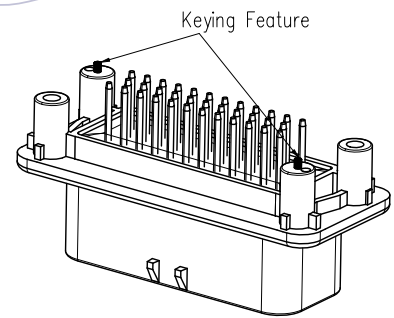
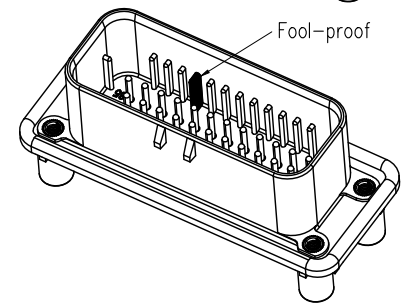
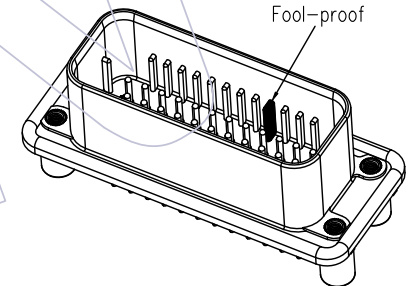
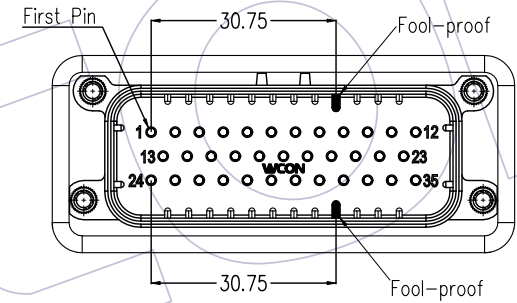
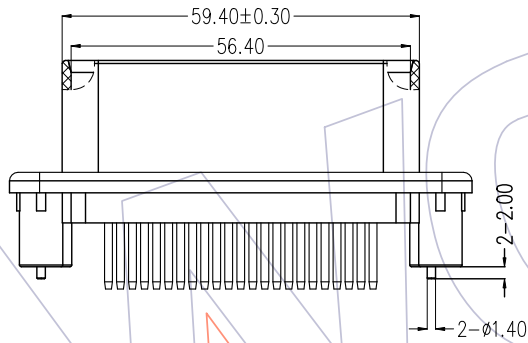
Recommended P.C.B Layout(Top Side)
 (PCB BOARD TOLERANCE±0.05 T=1.50mm)



Ordering Information

74040-3MS 035 A B XX J A 3 W

Body Material:
 A=PBT
 Contact Material:
 B=Brass
 A=Tray
 Contact Plating:
 G0=10u" Gold
 G3=10u" Gold
 SN=Sn
 SM=Matte Sn

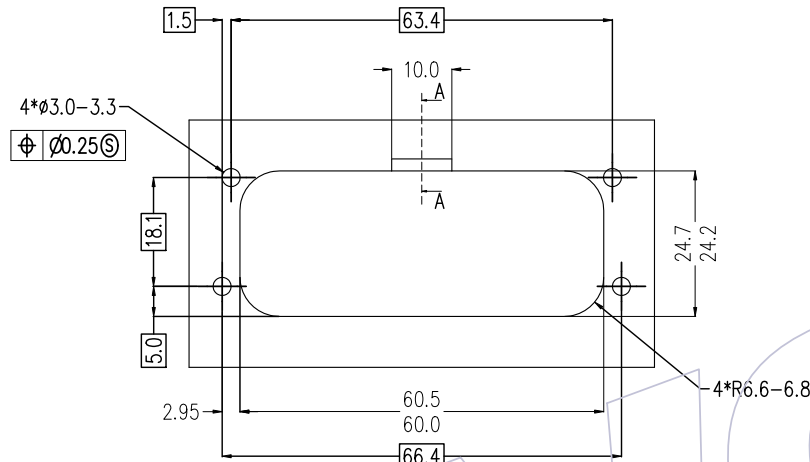


Matched Female Number
 74040-3FC035AN00WA3W

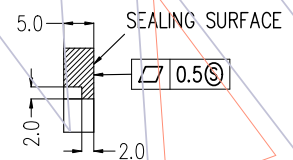
				OPERATION	DRAW	DATE	SCALE	PART NO.
				x.x ±0.40	ZXC	2020/08/03	1:1	74040-3MS035ABXXJA3W
A1	2020/08/03	Modify	ZXC	x.xx ±0.25	CHECK	DATE	UNIT	TITLE: 35P 180° Three row automobile
AO	2019/04/23	NEW		x.xxx ±0.15	APPROVE	DATE	SIZE	vaterproof connector
REV	DATE	MODIFICATION DESCRIPTION	CHANGE	Angle ± 3°			SHEET	(Upgraded Version)
				DIM TOL			1/2	Customer NO.

WCON
 Http: www.wcon.com

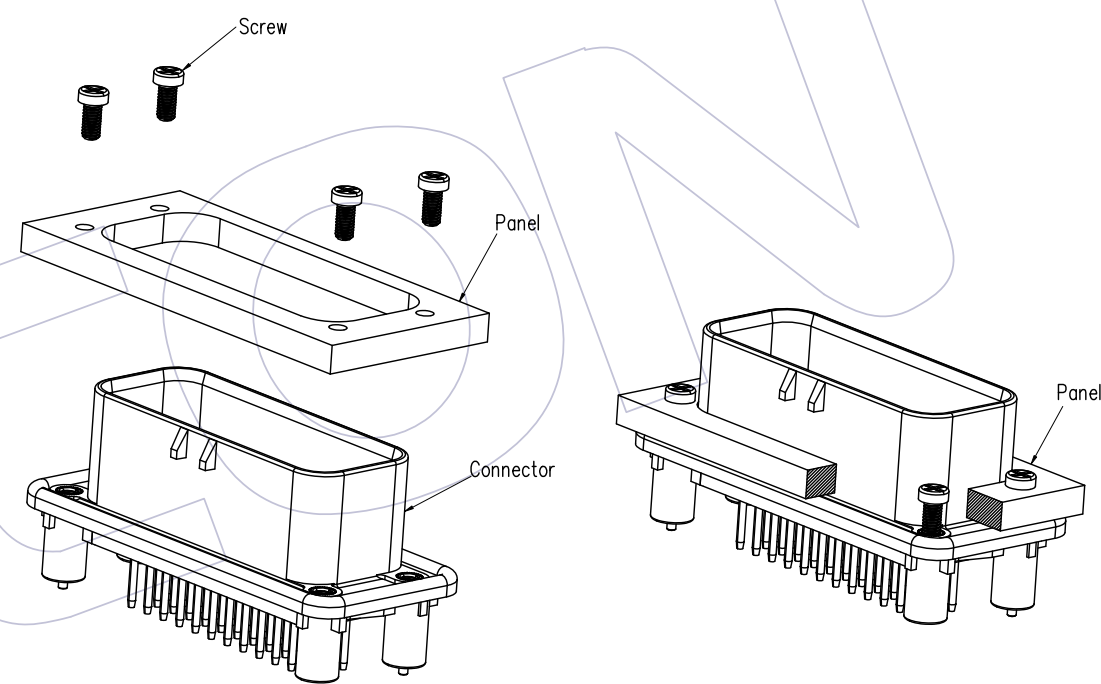
WCON-Dongguan Tel: +86 769 85358920
 WCON-Kunshan Tel: +86 512 57468408
 Fax: +86 769 85358915
 Fax: +86 512 57468468
 E-mail: sales@wcon.com
 E-mail: salesks@wcon.com



RECOMMENDED MOUNTING HOLE LAYOUT FOR 5.0 MAX THICK PANEL (35PIN)



OPTIONAL CONSTRUCTION IF PANEL THICKNESS IS GREATER THAN 2.0



Explosion View

				OPERATION		DRAW		DATE		SCALE		PART NO.	
				x.x ±0.40		ZXC		2020/08/03		1:1		74040-3MS035ABXXJA3W	
A1		2020/08/03		x.xx ±0.25		CHECK		DATE		UNIT		mm	
AO		2019/04/23		x.xxx ±0.15		APPROVE		DATE		SIZE		A4	
REV		DATE		MODIFICATION DESCRIPTION		CHANGE		DATE		SHEET		2/2	
				Angle ± 3°						PROJ.		Customer NO.	
				DIM TOL									

WCON
 Http: www.wcon.com
 WCON-Dongguan Tel: +86 769 85358920
 WCON-Kunshan Tel: +86 512 57468408
 Fax: +86 769 85358915 Fax: +86 512 57468468
 E-mail: sales@wcon.com E-mail: salesks@wcon.com