
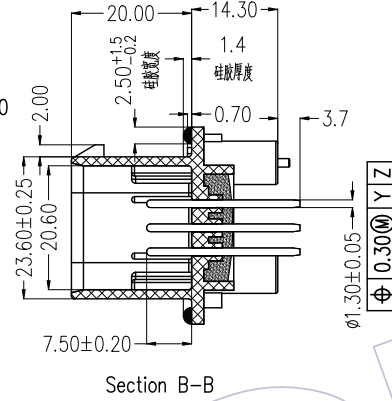
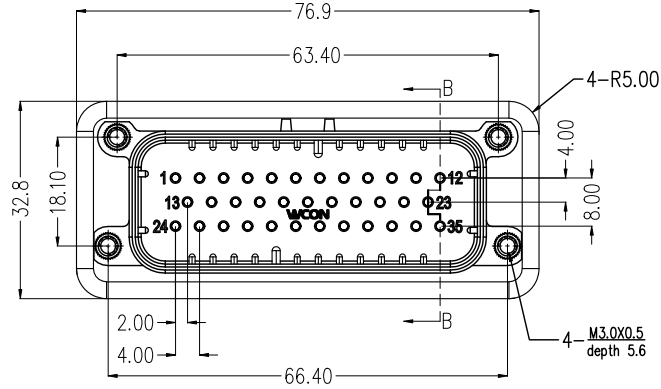
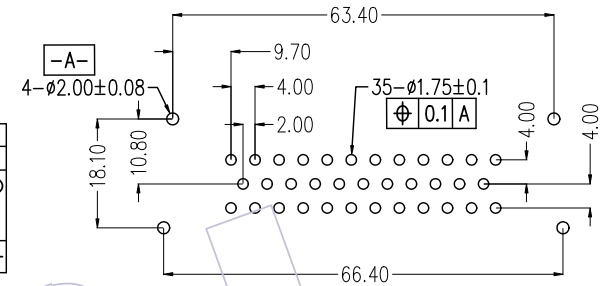


NOTES:   
 Rated Current: 5-8A  
 Rated Voltage: 250V AC  
 Contact Resistance: 10mΩ Max.  
 Withstand Voltage: 1000V  
 Insulation Resistance: 5000MΩ Min.  
 Operation Temperature:  
 Tin Plating: -40℃ to +125℃  
 Gold Plating: -40℃ to +125℃

Contact Material: Copper Alloy  
 Contact Plating: Sn or Au over Ni  
 Main Body Material: PBT+30%GF White  
 Waterproof grade: IP68/IP69K(After installation)



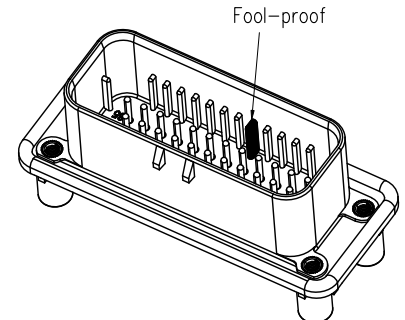
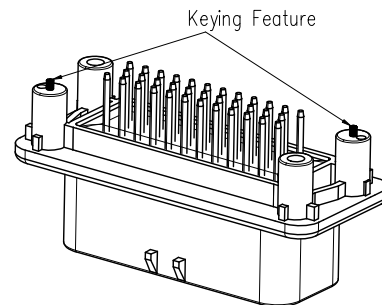
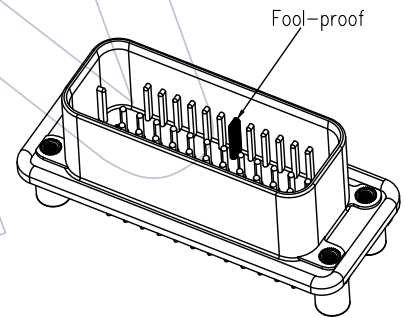
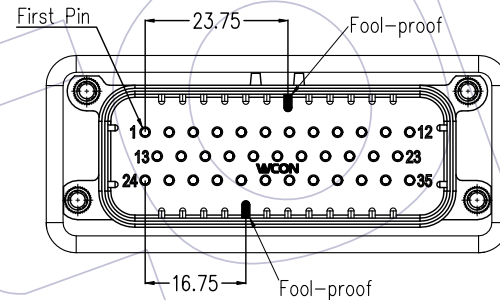
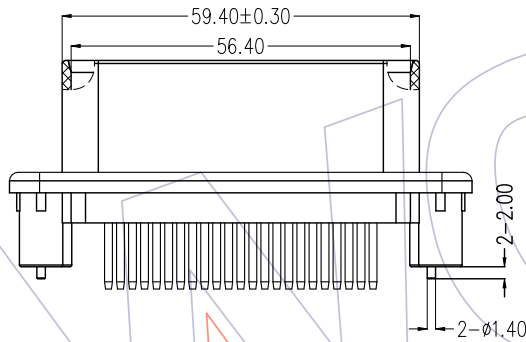
Recommended P.C.B Layout(Top Side)  
 (PCB BOARD TOLERANCE±0.05 T=1.50mm)



### Ordering Information

74040-3MS 035 A B XX J A 2 W

Body Material:  
 A=PBT  
 Contact Material:  
 B=Brass  
 A=Tray  
 Contact Plating:  
 G0=1u" Gold  
 G3=10u" Gold  
 SN=Sn  
 SM=Matte Sn



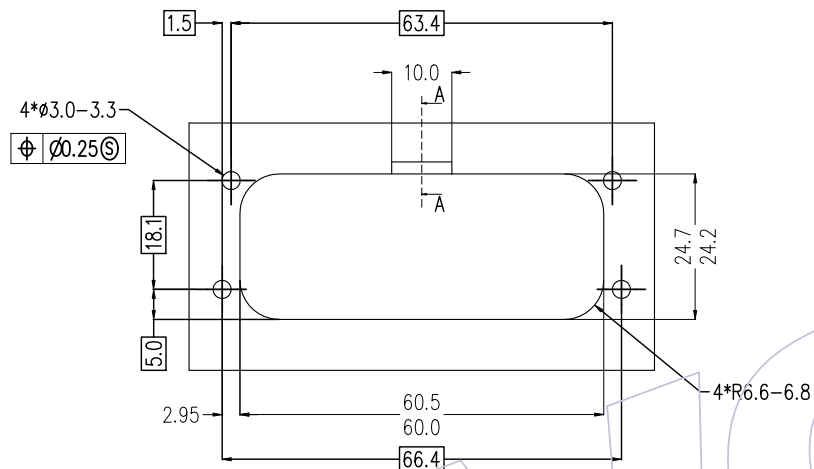
Matched Female Number
74040-3FC035AN00WA2W

REV	DATE	MODIFICATION DESCRIPTION	CHANGE	OPERATION	DRAW	DATE	SCALE	PART NO.
				x.x ±0.40	ZXC	2020/08/03	1:1	74040-3MS035ABXXJA2W
A1	2020/08/03	Modify	ZXC	x.xx ±0.25	CHECK	DATE	UNIT mm	TITLE: 35P 180° Three row automobile waterproof connector (Upgraded Version)
AO	2019/04/23	NEW		x.xxx ±0.15	APPROVE	DATE	SIZE A4	Customer NO.
				Angle ± 3°			SHEET 1/2	
				DIM TOL			PROJ.	

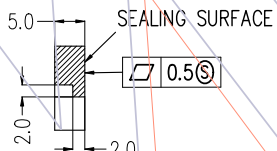
**WCON**  
 Http: www.wcon.com

WCON-Dongguan  
 Tel: +86 769 85358920  
 Fax: +86 769 85358915  
 E-mail: sales@wcon.com

WCON-Kunshan  
 Tel: +86 512 57468408  
 Fax: +86 512 57468468  
 E-mail: salesks@wcon.com

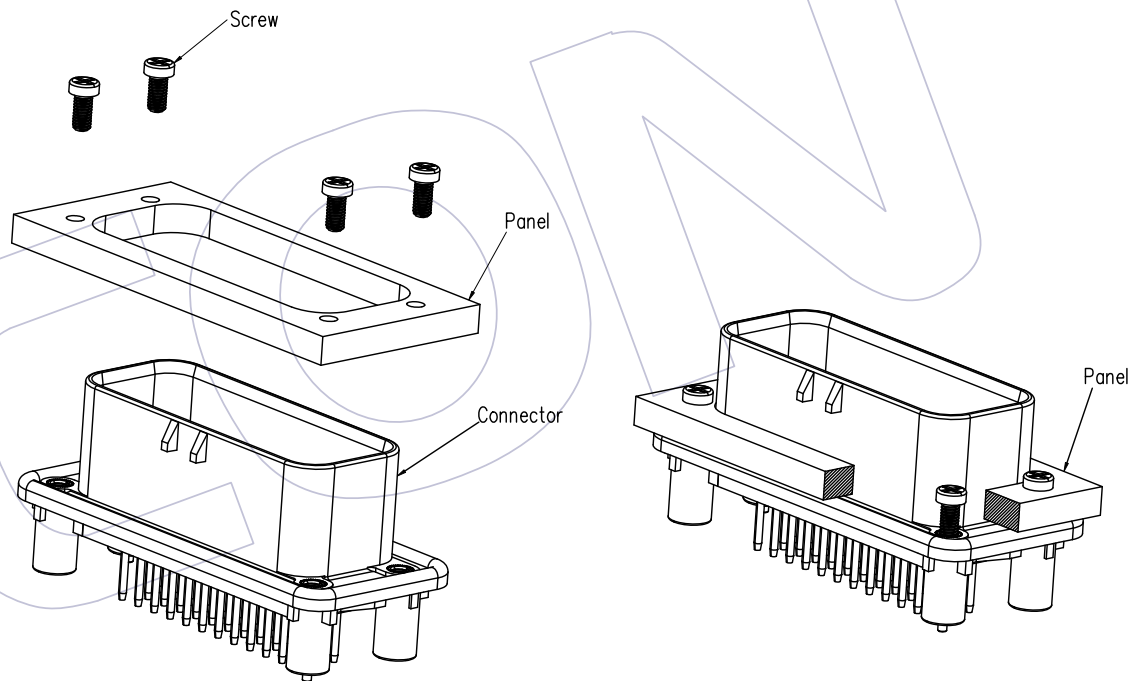


RECOMMENDED MOUNTING HOLE LAYOUT FOR 5.0 MAX THICK PANEL (35PIN)



SECTION: A-A

OPTIONAL CONSTRUCTION IF PANEL THICKNESS IS GREATER THAN 2.0



Explosion View

				OPERATION	DRAW	DATE	SCALE	1:1	PART NO.
				x.x ±0.40	ZXC	2020/08/03	UNIT	mm	74040-3MS035ABXXJA2W
A1	2020/08/03	Modify	ZXC	x.xx ±0.25	CHECK	DATE	SIZE	A4	TITLE: 35P 180° Three row automobile waterproof connector (Upgraded Version)
AO	2019/04/23	NEW		x.xxx ±0.15	APPROVE	DATE	SHEET	2/2	Customer NO.
REV	DATE	MODIFICATION DESCRIPTION	CHANGE	Angle ± 3°			PROJ.		
				DIM TOL					

# WCON

Http: [www.wcon.com](http://www.wcon.com)

WCON-Dongguan Tel: +86 769 85358920 Fax: +86 769 85358915 E-mail: <a href="mailto:sales@wcon.com">sales@wcon.com</a>	WCON-Kunshan Tel: +86 512 57468408 Fax: +86 512 57468468 E-mail: <a href="mailto:salesks@wcon.com">salesks@wcon.com</a>
---	--