
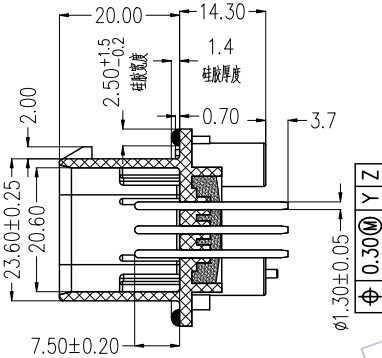
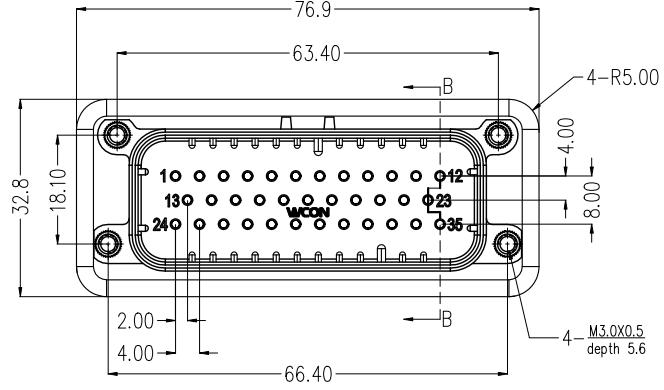
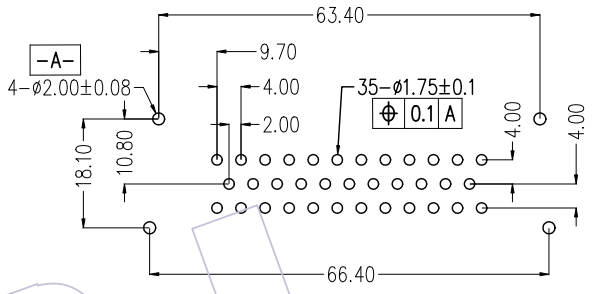


NOTES: 
 Rated Current: 5-8A
 Rated Voltage: 250V AC
 Contact Resistance: 10mΩ Max.
 Withstand Voltage: 1000V
 Insulation Resistance: 5000MΩ Min.
 Operation Temperature:
 Tin Plating: -40℃ to +125℃
 Gold Plating: -40℃ to +125℃

Contact Material: Copper Alloy
 Contact Plating: Sn or Au over Ni
 Main Body Material: PBT+30%GF Orange
 Waterproof grade: IP68/IP69K(After installation)



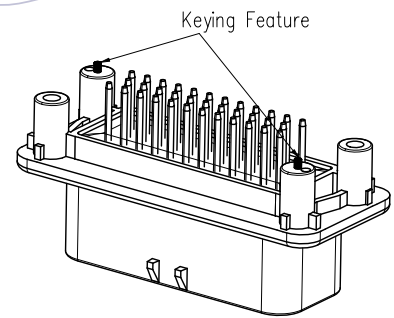
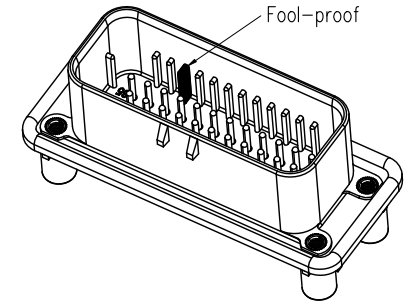
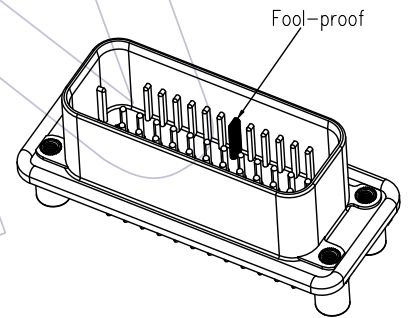
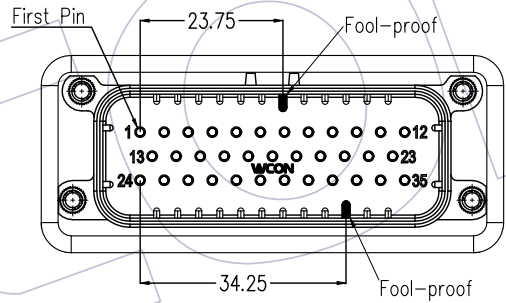
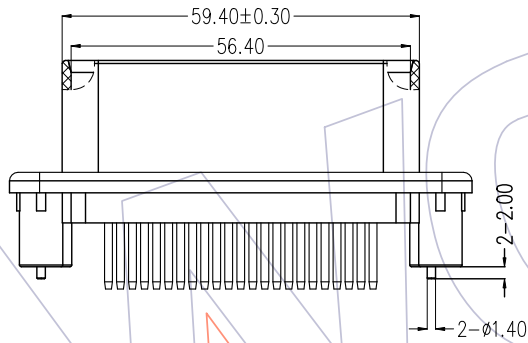
Recommended P.C.B Layout(Top Side)
 (PCB BOARD TOLERANCE±0.05 T=1.50mm)



Ordering Information

74040-3MS 035 A B XX J A 5 W

Body Material:
 A=PBT
 Contact Material:
 B=Brass
 A=Tray
 Contact Plating:
 G0=1u" Gold
 G3=10u" Gold
 SN=Sn
 SM=Matte Sn



Fool-proof Structure

Matched Female Number
74040-3FC035AN00WA5W

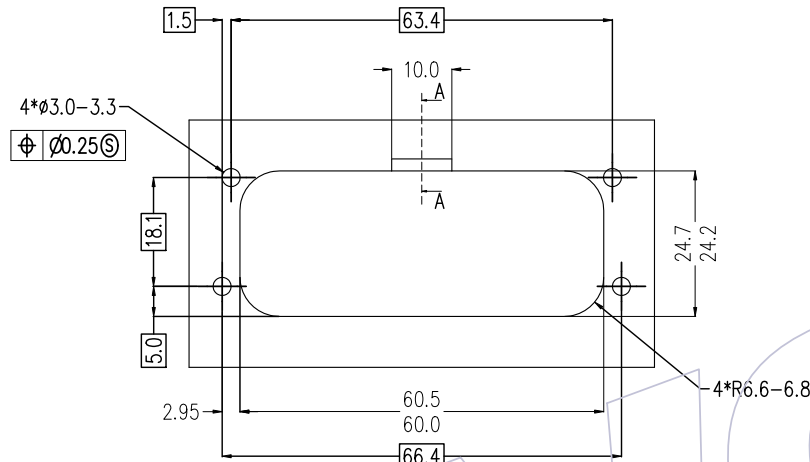
				OPERATION	DRAW	DATE	SCALE	1:1	PART NO.
				x.x ±0.40	ZXC	2020/08/03	UNIT	mm	74040-3MS035ABXXJA5W
A1	2020/08/03	Modify	ZXC	x.xx ±0.25	CHECK	DATE	SIZE	A4	TITLE: 35P 180° Three row automobile waterproof connector (Upgraded Version)
AO	2019/04/23	NEW		x.xxx ±0.15		DATE	SHEET	1/2	Customer NO.
REV	DATE	MODIFICATION DESCRIPTION	CHANGE	Angle ± 3°	APPROVE	DATE	PROJ.		
				DIM TOL					

WCON

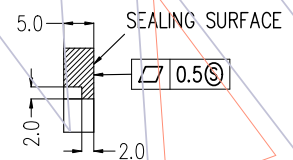
Http: www.wcon.com

WCON-Dongguan
 Tel: +86 769 85358920
 Fax: +86 769 85358915
 E-mail: sales@wcon.com

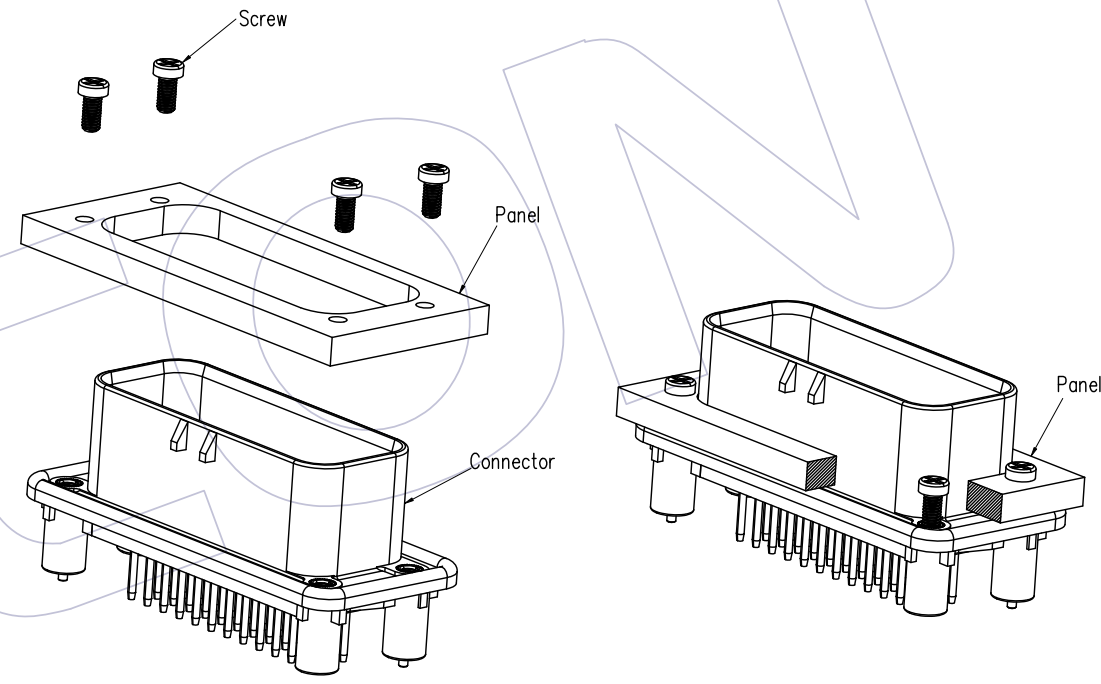
WCON-Kunshan
 Tel: +86 512 57468408
 Fax: +86 512 57468468
 E-mail: salesks@wcon.com



RECOMMENDED MOUNTING HOLE LAYOUT FOR 5.0 MAX THICK PANEL (35PIN)



OPTIONAL CONSTRUCTION IF PANEL THICKNESS IS GREATER THAN 2.0



Explosion View

REV	DATE	MODIFICATION DESCRIPTION	CHANGE	OPERATION	DRAW	DATE	SCALE	PART NO.
A1	2020/08/03	Modify	ZXC	x.x ±0.40	ZXC	2020/08/03	1:1	74040-3MS035ABXXJA5W
AO	2019/04/23	NEW		x.xx ±0.25	CHECK	DATE	UNIT mm	TITLE: 35P 180° Three row automobile waterproof connector (Upgraded Version)
				x.xxx ±0.15	APPROVE	DATE	SIZE A4	Customer NO.
				Angle ± 3°			SHEET 2/2	
				DIM TOL			PROJ.	

WCON
 Http: www.wcon.com

WCON-Dongguan Tel: +86 769 85358920 Fax: +86 769 85358915 E-mail: sales@wcon.com

WCON-Kunshan Tel: +86 512 57468408 Fax: +86 512 57468468 E-mail: salesks@wcon.com