
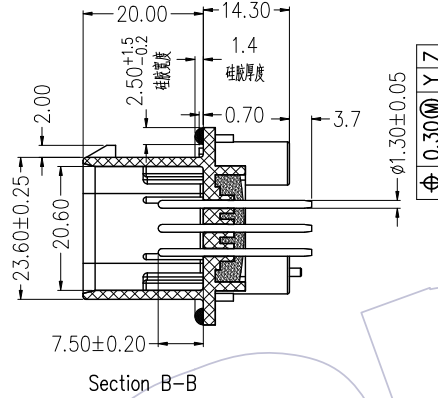
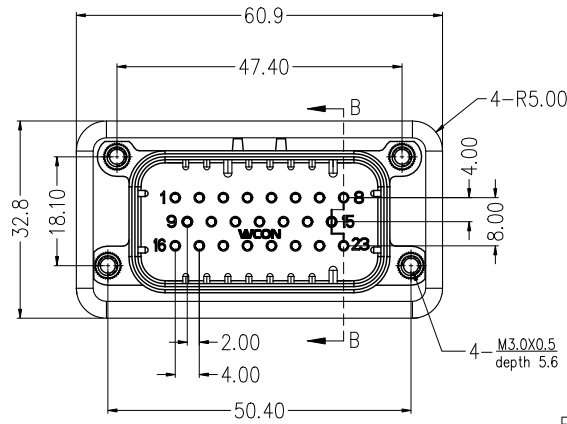


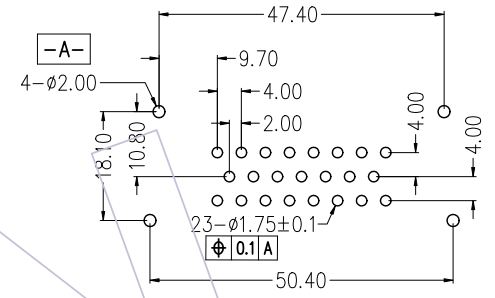
NOTES: 
 Rated Current: 5-8A
 Rated Voltage: 250V AC
 Contact Resistance: 10mΩ Max.
 Withstand Voltage: 1000V
 Insulation Resistance: 5000MΩ Min.
 Operation Temperature:
 Tin Plating: -40°C to +125°C
 Gold Plating: -40°C to +125°C

Contact Material: Copper Alloy
 Contact Plating: Sn or Au over Ni
 Main Body Material: PBT+30%GF Blue

Waterproof grade: IP68/IP69K(After installation)



Recommended P.C.B Layout(Top Side)
 (PCB BOARD TOLERANCE±0.05 T=1.50mm)



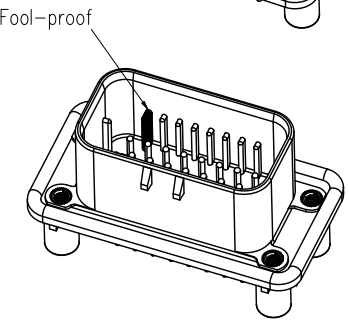
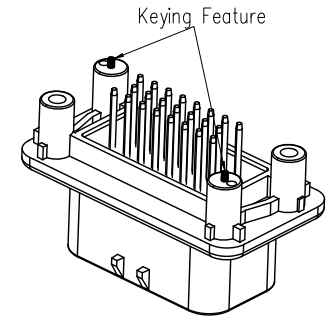
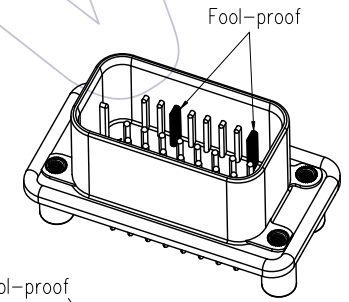
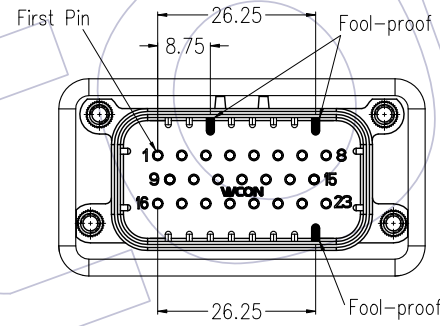
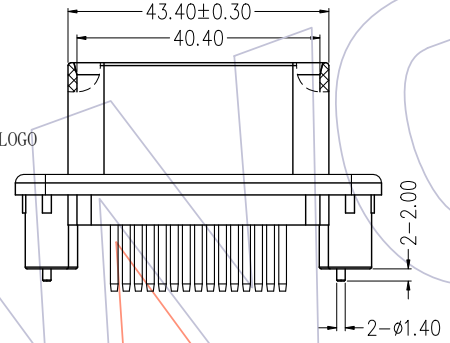
Ordering Information

74040-3MS 023 A B XX J A 4 W

Contact Material:
 B=Brass
 A=Tray
 W=W/T LOGO
 Blank=W/O LOGO


Body Material:
 A=PBT

Contact Plating:
 G0=1u" Gold
 G3=10u" Gold
 SN=Sn
 SM=Matte Sn



Fool-proof Structure

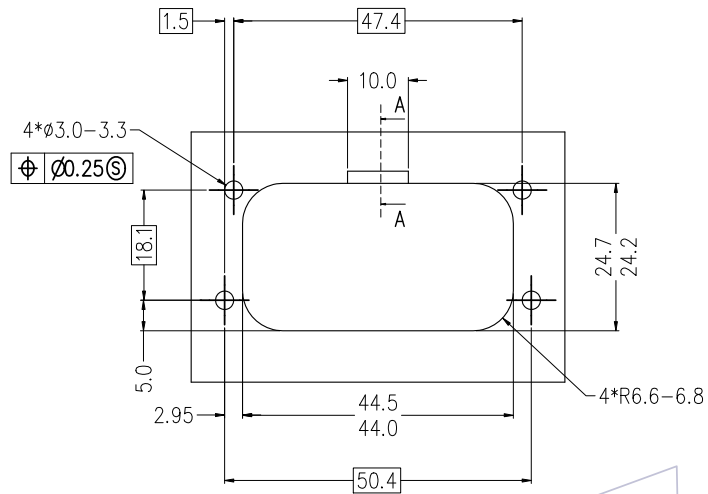
Matched Female Number
 74040-3FC023AN00WA4(W)

REV	DATE	MODIFICATION DESCRIPTION	CHANGE	OPERATION	DRAW	DATE	SCALE	PART NO.
A2	2021/03/29	Add W/O WOCN SPEC&P/N	XSR	x.x ±0.40	XSR	2021/03/29	1:1	74040-3MS023ABXXJA4(W) 
A1	2020/08/03	Modify	---	x.xx ±0.25	CHECK	DATE	UNIT	TITLE: 23P 180° Three row automobile waterproof connector (Upgraded Version)
AO	2019/04/23	NEW	---	x.xxx ±0.15	APPROVE	DATE	SIZE	Customer NO.
				Angle ± 3°			SHEET	
				DIM TOL			1/2	
							PROJ.	

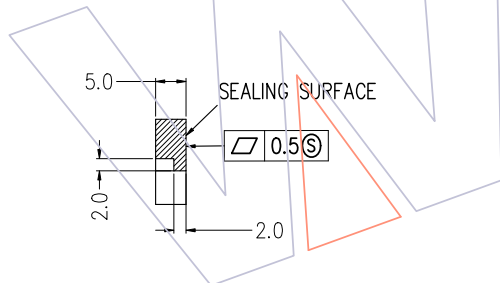
WCON
 Http: www.wcon.com

WCON-Dongguan
 Tel: +86 769 85358920
 Fax: +86 769 85358915
 E-mail: sales@wcon.com

WCON-Kunshan
 Tel: +86 512 57468408
 Fax: +86 512 57468468
 E-mail: salesks@wcon.com

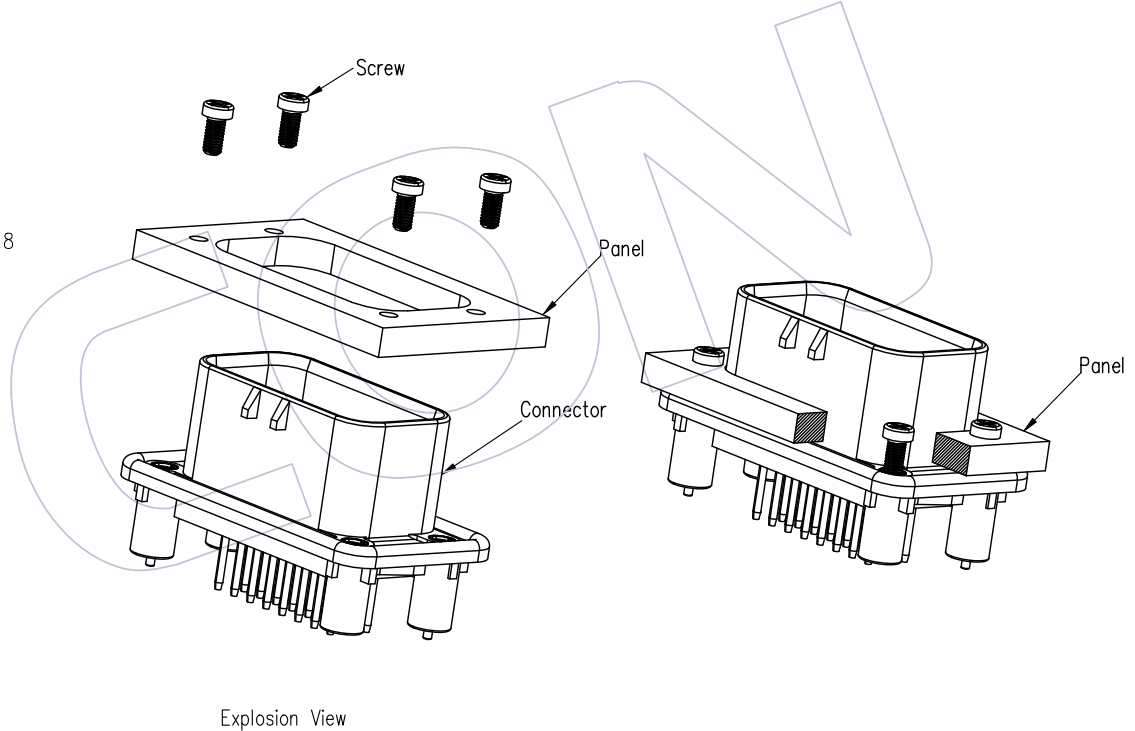


RECOMMENDED MOUNTING HOLE LAYOUT FOR 5.0 MAX THICK PANEL (23PIN)



SECTION: A-A

OPTIONAL CONSTRUCTION IF PANEL THICKNESS IS GREATER THAN 2.0



Explosion View

REV	DATE	MODIFICATION DESCRIPTION	CHANGE	OPERATION	DRAW	DATE	SCALE	1:1	PART NO.
A2	2021/03/29	Add W/O WOCN SPEC&P/N	XSR	x.x ±0.40	XSR	2021/03/29	UNIT	mm	74040-3MS023ABXXJA4(W)A2
A1	2020/08/03	Modify	---	x.xx ±0.25	CHECK	DATE	SIZE	A4	TITLE: 23P 180° Three row automobile waterproof connector (Upgraded Version)
A0	2019/04/23	NEW	---	x.xxx ±0.15	APPROVE	DATE	SHEET	2/2	Customer NO.
				Angle ± 3°			PROJ.		
				DIM TOL					

WCON

Http: www.wcon.com

WCON-Dongguan Tel: +86 769 85358920 Fax: +86 769 85358915 E-mail: sales@wcon.com	WCON-Kunshan Tel: +86 512 57468408 Fax: +86 512 57468468 E-mail: sales@wcon.com
---	--