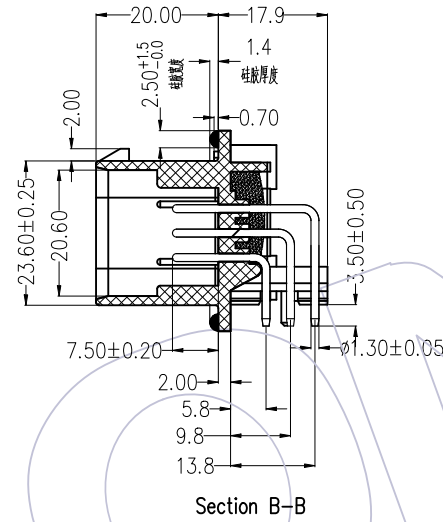
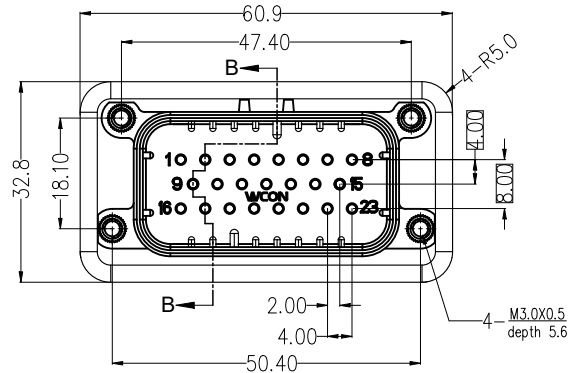
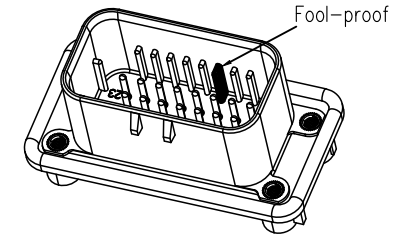
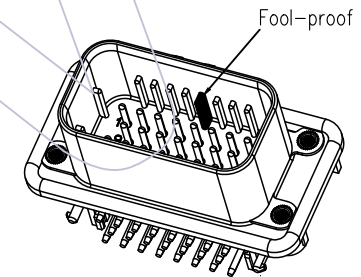
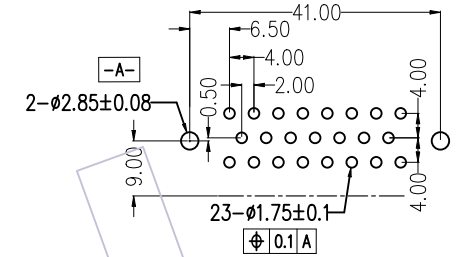


NOTES:

Rated Current: 5-8A  
 Rated Voltage: 250V AC  
 Contact Resistance: 10mΩ Max.  
 Withstand Voltage: 1000V  
 Insulation Resistance: 5000MΩ Min.  
 Operation Temperature:  
 Tin Plating: -40°C to +125°C  
 Gold Plating: -40°C to +125°C  
 Contact Material: Copper Alloy  
 Contact Plating: Sn or Au over Ni  
 Main Body Material: PBT+30%GF White  
 Waterproof grade: IP68/IP69K(After installation)



Recommended P.C.B Layout(Top Side)  
 (PCB BOARD TOLERANCE±0.05 T=1.50mm)

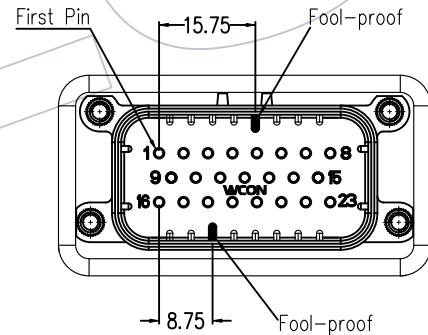
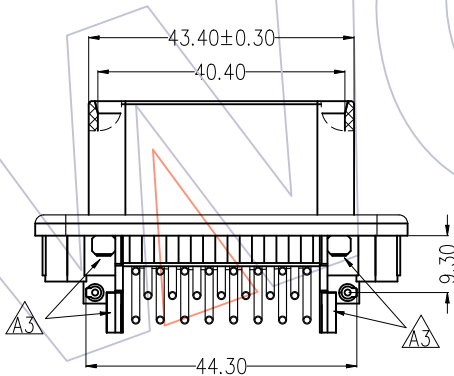


Fool-proof Structure

Ordering Information

74040-3MR 023 A B XX J A 2 W

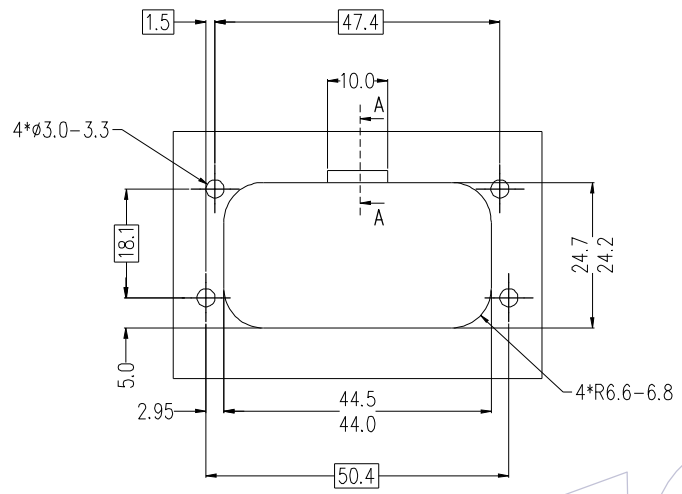
Body Material: A=PBT  
 Contact Material: B=Brass  
 A=Tray  
 Contact Plating: G0=1u" Gold  
 G3=10u" Gold  
 SN=Sn  
 SM=Matte Sn



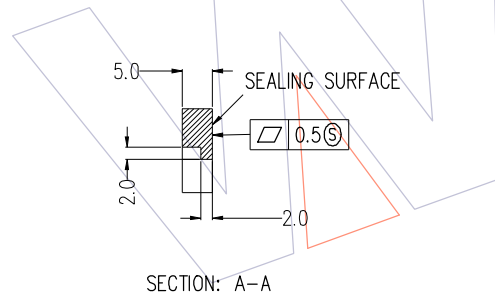
Matched Female Number
74040-3FC023AN00WA2W

A3	2022.06.08	Modify	OPERATION	DRAW	DATE	SCALE	1:1	PART NO.
A2	2020.08.03	Modify	x.X ±0.40	XSR	2022.06.08	UNIT	mm	74040-3MR023ABXXJA2W
A1	2019.04.16	Modify	x.XX ±0.25	CHECK	DATE	SIZE	A4	TITLE: 23P 90° Three row automobile waterproof connector (Upgraded Version)
A0	2018.11.09	NEW	x.XXX ±0.15	APPROVE	DATE	SHEET	1/2	Customer NO.
REV	DATE	MODIFICATION DESCRIPTION	CHANGE	ANGLE ± 3°	DATE	PROJ.		
				DIM TOL				

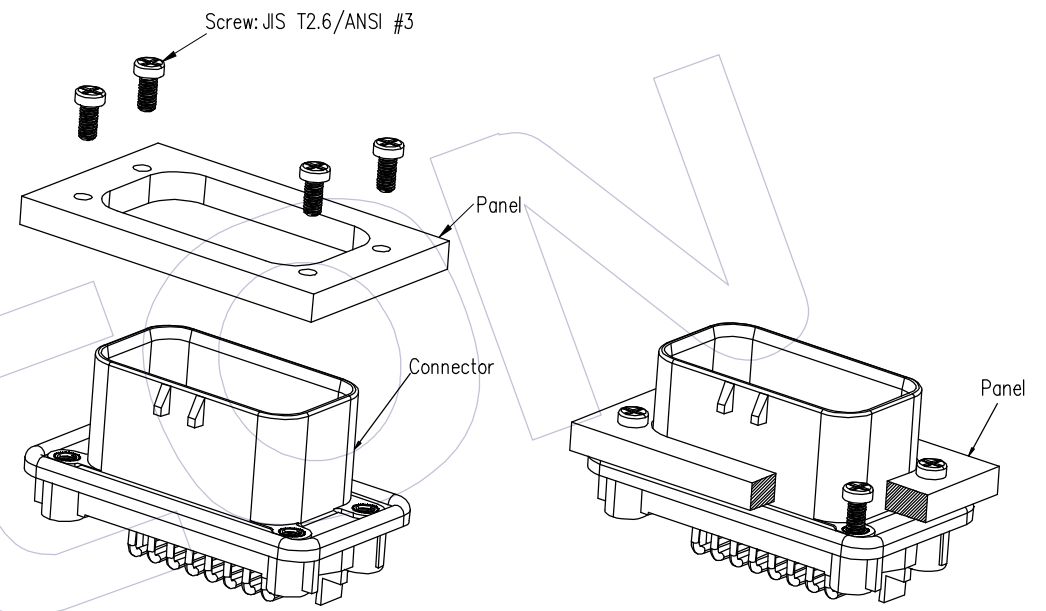
**WCON**  
 Http: www.wcon.com  
 WCON-Dongguan Tel: +86 769 85358920  
 WCON-Kunshan Tel: +86 512 57468408  
 Fax: +86 769 85358915  
 Fax: +86 512 57468468  
 E-mail: sales@wcon.com  
 E-mail: salesks@wcon.com




RECOMMENDED MOUNTING HOLE LAYOUT FOR 5.0 MAX THICK PANEL (23PIN)



OPTIONAL CONSTRUCTION IF PANEL THICKNESS IS GREATER THAN 2.0



Explosion View

A3	2022.06.08	Modify	OPERATION	DRAW	DATE	SCALE	1:1	PART NO.	 Http: www.wcon.com WCON-Dongguan Tel: +86 769 85358920 WCON-Kunshan Tel: +86 512 57468408 Fax: +86 769 85358915 Fax: +86 512 57468468 E-mail: sales@wcon.com E-mail: salesks@wcon.com
A2	2020.08.03	Modify	x.x ±0.40	XSR	2022.06.08	UNIT	mm	TITLE: 23P 90° Three row automobile voaterproof connector (Upgraded Version)	
A1	2019.04.16	Modify	x.xx ±0.25	CHECK	DATE	SIZE	A4		
A0	2018.11.09	NEW	x.xxx ±0.15	APPROVE	DATE	SHEET	2/2	Customer NO.	
REV	DATE	MODIFICATION DESCRIPTION	CHANGE	DIM	TOL	PROJ.			