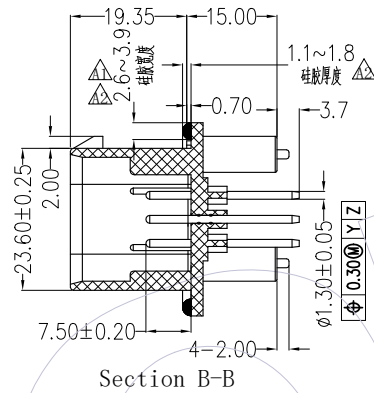
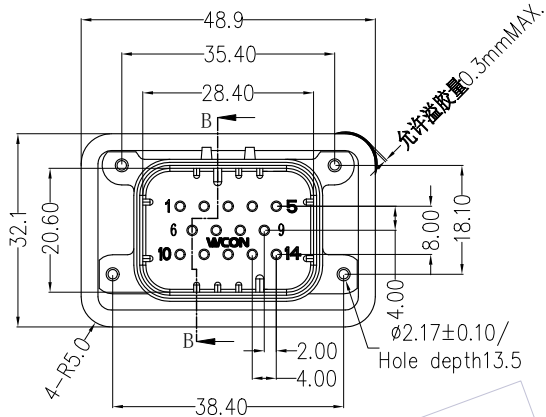
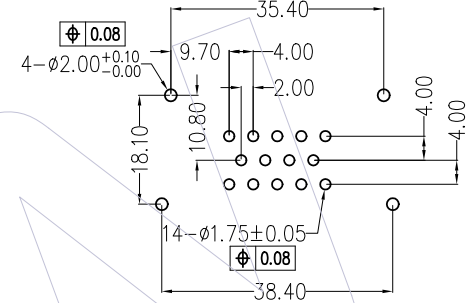


NOTES:  
 Rated Current: 5-8A  
 Rated Voltage: 250V AC  
 Contact Resistance: 10mΩ Max.  
 Withstand Voltage: 1000V  
 Insulation Resistance: 500MΩ Min.  
 Operation Temperature:  
 Tin Plating: -40℃ to +125℃  
 Gold Plating: -40℃ to +125℃  
 Contact Material: Copper Alloy  
 Contact Plating: Sn or Au over Ni  
 Main Body Material: PBT+30%GF Grey  
 Waterproof grade: IP68/IP69K(After installation)



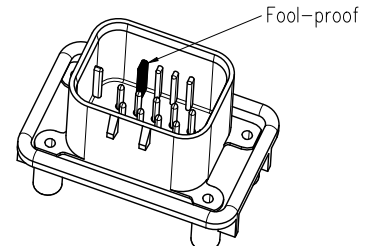
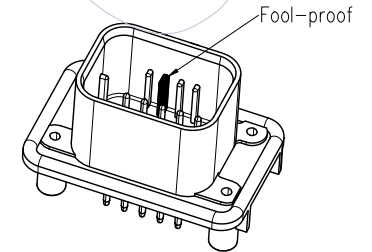
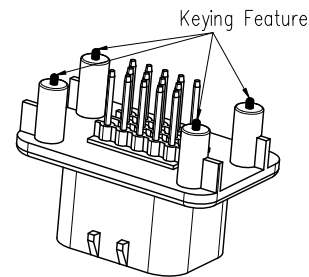
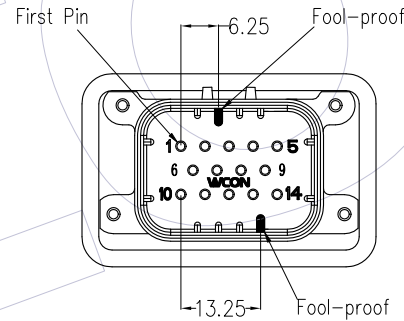
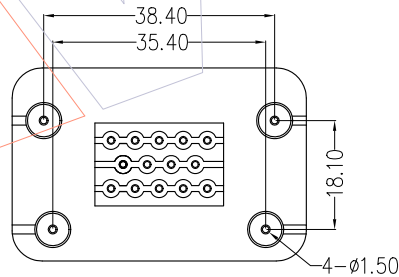
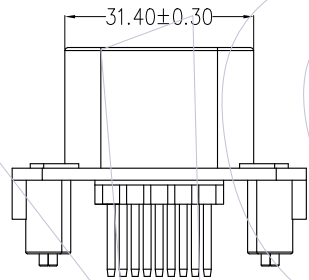
Recommended P.C.B Layout(Top Side)  
 (PCB BOARD TOLERANCE±0.05 T=1.50mm)



### Ordering Information

74040-3MS 014 A B XX N A 3 W

Contact Material:  
 B=Brass  
 A=Tray  
 Body Material:  
 A=PBT  
 Contact Plating:  
 G0=1u" Gold  
 G3=10u" Gold  
 SN=Sn  
 SM=Matte Sn



Fool-proof Structure

Matched Female Number

74040-3FC014AN00WA3W

REV	DATE	MODIFICATION DESCRIPTION	CHANGE	DIM	TOL	OPERATION	DRAW	DATE	SCALE	PART NO.
A4	2019.04.16					OPERATION	Ding	2019.04.16	1:1	74040-3MS014ABXXNA3W
A3	2018.11.23			x.X	±0.40	CHECK			mm	
A2	2018.09.14			x.XX	±0.25				A4	Title: 车用防水型14P插座180度
A0	2018.03.12			x.XXX	±0.15	APPROVE			1/2	
				Angle	± 3°					Customer NO.

**WCON**

Http: www.wcon.com

WCON-Dongguan

Tel: +86 769 85358920

Fax: +86 769 85358915

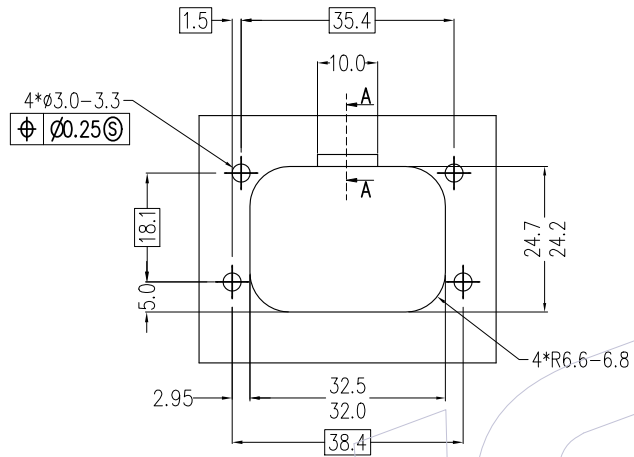
E-mail: sales@wcon.com

WCON-Kunshan

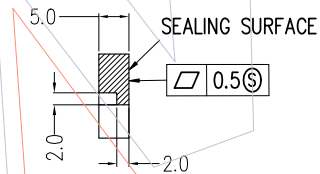
Tel: +86 512 57468408

Fax: +86 512 57468468

E-mail: salesks@wcon.com

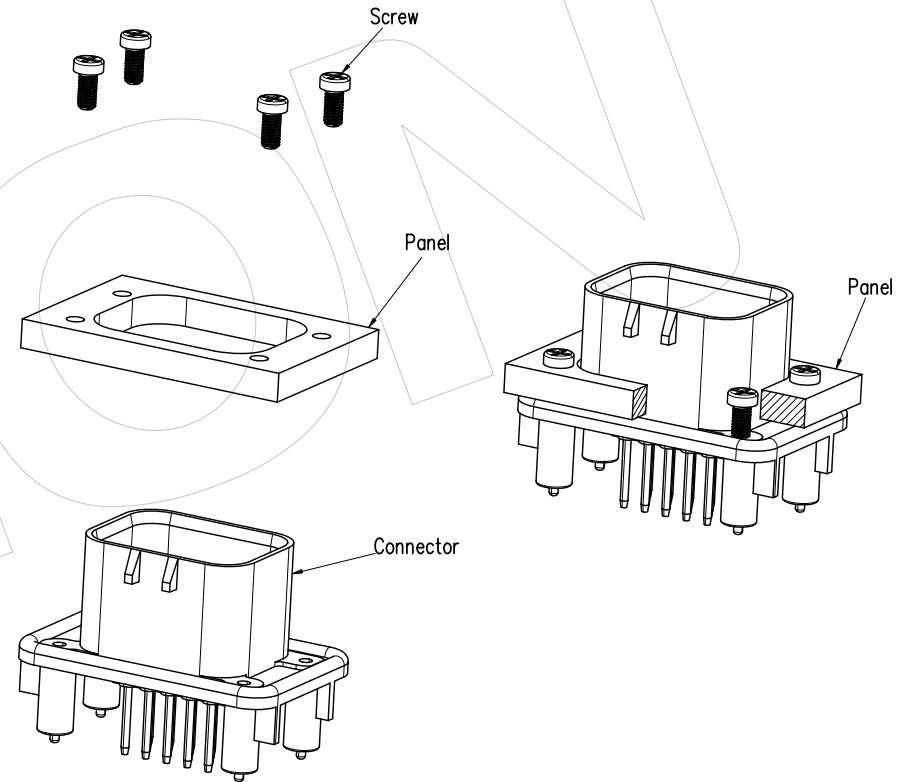


RECOMMENDED MOUNTING HOLE LAYOUT FOR 5.0 MAX THICK PANEL (14PIN)



SECTION: A-A

OPTIONAL CONSTRUCTION IF PANEL THICKNESS IS GREATER THAN 2.0



Explosion View

A4	2019.04.16	Modify	OPERATION	DRAW	DATE	SCALE	1:1	PART NO.
A3	2018.11.23	Modify	x.X ±0.40	Ding	2019.04.16	UNIT	mm	74040-3MS014ABXXNA3W
A2	2018.09.14	Modify	x.XX ±0.25	CHECK	DATE	SIZE	A4	TITLE:
A0	2018.03.12	NEW	x.XXX ±0.15	APPROVE	DATE	SHEET	2/2	车用防水型14P插座180度
REV	DATE	MODIFICATION DESCRIPTION	CHANGE	DIM	TOL	PROJ.		Customer NO.

**WCON**  
 Http: [www.wcon.com](http://www.wcon.com)

WCON-Dongguan Tel: +86 769 85358920 Fax: +86 769 85358915 E-mail: [sales@wcon.com](mailto:sales@wcon.com)

WCON-Kunshan Tel: +86 512 57468408 Fax: +86 512 57468468 E-mail: [salesks@wcon.com](mailto:salesks@wcon.com)