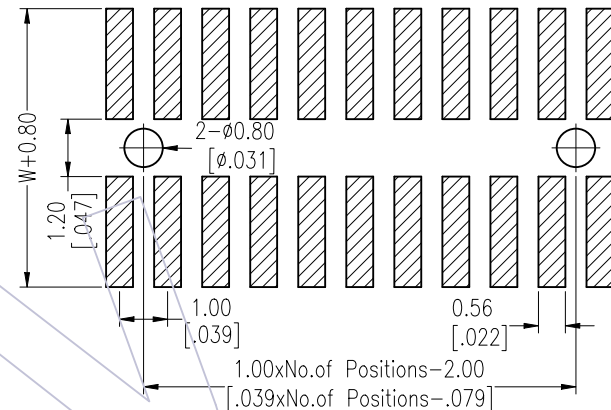
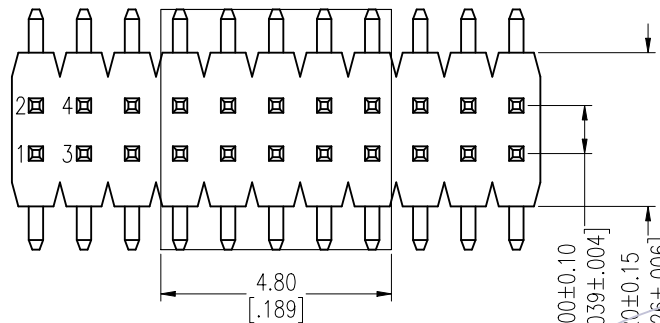


HSF

NOTES:
 Rated Current:0.75AMP.
 Contact Resistance:30mΩ Max.
 Withstand Voltage:500V AC/DC
 Insulation Resistance:1000MΩ Min.
 Operation Temperature:-40°C to +105°C

Contact Material:Brass
 Contact Plating:Au Over Ni
 Insulator Material:PA9T+33%G.F UL94V-0 BK

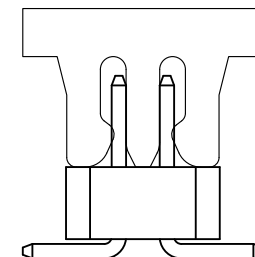
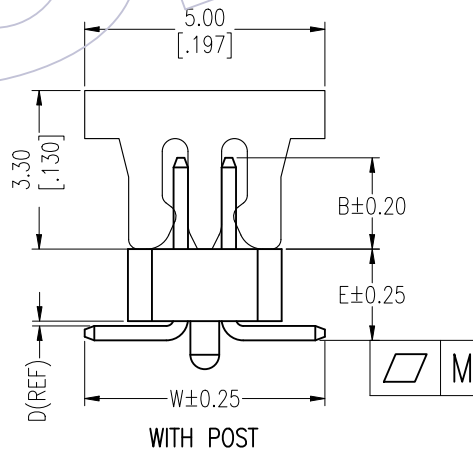
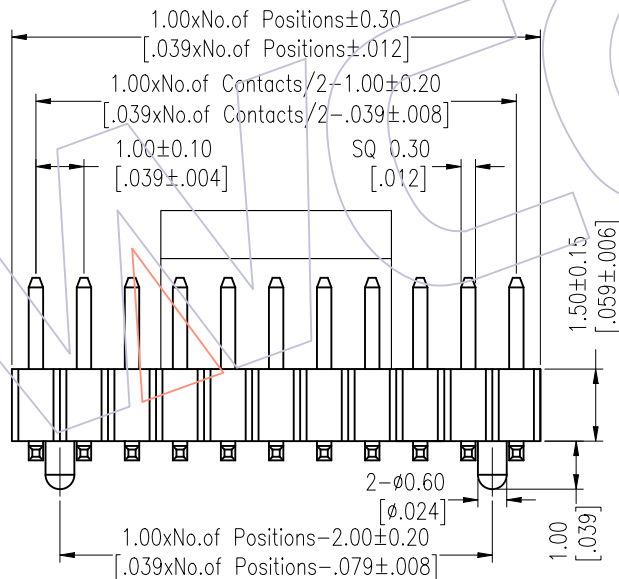
Recommended P.C.B Layout (Top Side)
 (PCB BOARD TOLERANCE±0.05)



Ordering Information

1515-12 XX XX M 055 C R XX

No. of Pins Per Row: 02-50
 Contact Plating: G0=Gold Flash, G3=10u"Gold, G4=15u"Gold, G5=30u"Gold, SN=Tin, SM=Matte Tin
 Pin Length: L=B+D+1.5+ $\frac{W+1.0}{2}$, Standard: 055=5.5
 Insulator: C=PA9T
 Series No.: 01~99
 Packing: T=Tube, P=Tube+CAP, R=Tape&Reel+CAP



Item	Pin Length	W	E	B
Standard	5.5	5.00	1.90	1.90
Alternate				

PIN(PerRow)	2-15P	16-30P	31-50P	△3
M	0.10	0.12	0.18	

REV	DATE	MODIFICATION DESCRIPTION	CHANGE	ANGLE	DIM	TOL	APPROVE	DATE	SCALE	Fit	PART NO.
A3	2023/02/01	Add Flatness	△3	Du Ying	OPERATION	DRAW	Du Ying	DATE	SCALE	Fit	PART NO.
A2	2018/01/05	MODIFY PART NO.	△2	William Chen	X.X ±0.40	CHECK		DATE	UNIT	mm [inch]	1515-12XXXXMXXXCXXX △2
A1	2012/11/21	Modify the material	△1	-----	X.XX ±0.25	CHECK		DATE	SIZE	A4	TITLE:
A0	2012/03/01	NEW	-----	-----	X.XXX ±0.15	CHECK		DATE	SHEET	1/1	1.00 Pin Header, DUAL ROW, SMT, H=1.5
REV	DATE	MODIFICATION DESCRIPTION	CHANGE	ANGLE	DIM	TOL	APPROVE	DATE	PROJ.	Customer NO.	

WCON
 Http: www.wcon.com
 WCON-Dongguan Tel: +86 769 85358920
 WCON-Kunshan Tel: +86 512 57468408
 Fax: +86 769 85358915
 Fax: +86 512 57468468
 E-mail: sales@wcon.com
 E-mail: salesks@wcon.com