

HSF

NOTES:
 Current Rating: 3.0AMP
 Contact Resistance: 30mΩ Max
 Withstand Voltage: 500V AC
 Insulation Resistance: 1000MΩ Min
 Operation Temperature: -55°C to +105°C

Contact Material: Brass
 Contact plating: Au Or Sn over Ni
 Insulator Material: PBT+30%G.F UL94V-0
 Shell: Steel, Sn Or Ni Plated
 Nut: Brass, Sn over Ni Plated

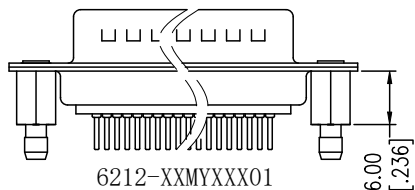
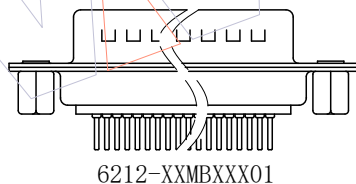
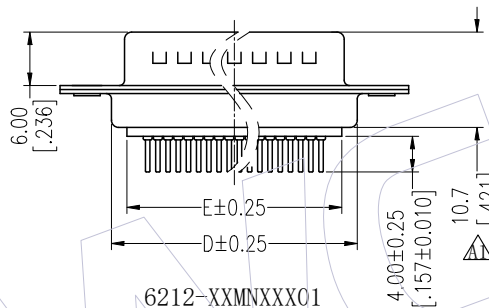
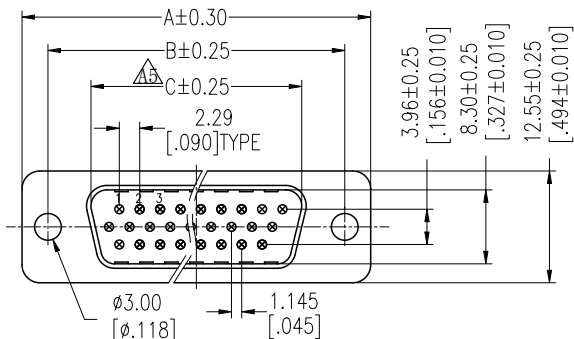
Ordering Information

6212-XX M X XX X 01

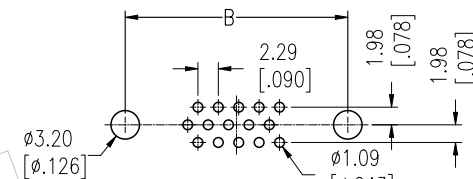
No. of Pins	Type	Contact Plating	Insulator Color
15,26,44,62P	Y=With Back Fork B=With Back Nut F=With Front Nut H=With Back Fork With Screw N=Without Fork Without Nut	S0=Gold Flash/Tin S3=10u"Gold/Tin S4=15u"Gold/Tin S5=30u"Gold/Tin SN=Tin	B:Black U:Blue W:White

NAME	DIM "S"				
NUT	3.0	4.0	6.0	6.5	4.8

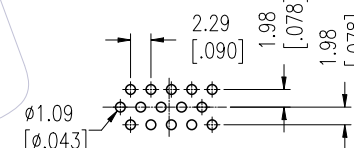
PINS	DIM "A"	DIM "B"	DIM "C"	DIM "D"	DIM "E"
15	30.80	24.99	16.92	19.00	15.60
26	39.20	33.32	25.38	27.70	24.60
44	53.05	47.04	38.84	41.10	38.10
62	69.50	63.50	55.43	57.30	54.30



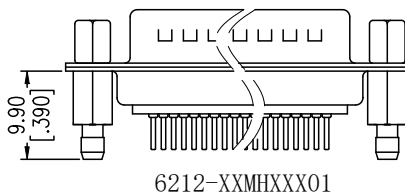
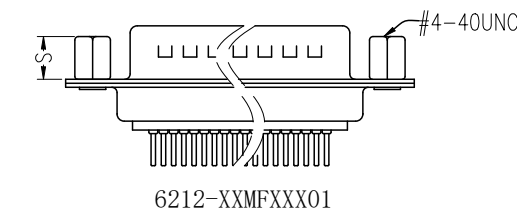
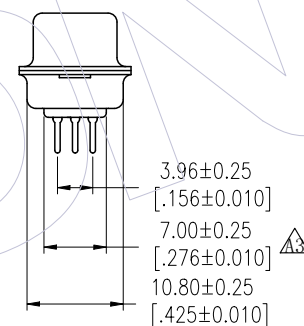
Recommended P.C.B Layout (Top Side)
 (PCB BOARD TOLERANCE ±0.05)



6212-XXMYXXX01
 6212-XXMHXXX01



6212-XXMBXXX01
 6212-XXMFXXX01
 6212-XXMNXXX01



A5	2022/12/09	Modify Form	▲5	DuYing	OPERATION	DRAW	DATE	SCALE	FIT	PART NO.
A4	2016/06/15	Modify	▲4	Lizufeng	X.X ±0.40	DuYing	2022/12/09	UNIT	mm	6212-XXMXXX01
A3	2015/12/14	Modify	▲3	---	X.XX ±0.25	CHECK	DATE	SIZE	A4	TITLE:
A1	2014/03/31	Modify	▲1	---	X.XXX ±0.15	APPROVE	DATE	SHEET	1/1	HD-SUB MALE THREE ROW 180° DIP TYPE
REV	DATE	MODIFICATION DESCRIPTION	CHANGE	---	Angle ± 3°	APPROVE	DATE	PROJ.	Customer NO.	
					DIM TOL					

WCON

Http: www.wcon.com

WCON-Dongguan	WCON-Kunshan
Tel: +86 769 85358920	Tel: +86 512 57468408
Fax: +86 769 85358915	Fax: +86 512 57468468
E-mail: sales@wcon.com	E-mail: salesks@wcon.com