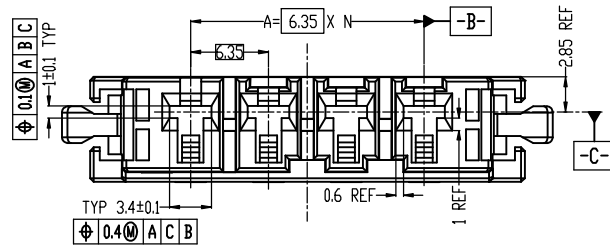


HSF

NOTES:

- 1.Voltage Rating:600V AC/DC;
- 2.Withstand Voltage: 2500V AC;
- 3.Insulation Resistance: 1000MΩ Min;
- 4.Operating Temperature: -55°C to +105°C;
- 5.Insulator Material: PBT,G.F,UL94V-0,BK;



PIN	N	A	B	C	D	E	PART NO	KEY	KEY LOCATION
2	1	6.35	17.55	19.75	22.75	27.35	WD6350-1H02B001	X	
							WD6350-1H02B002	Y	
3	2	12.7	23.9	26.1	29.1	33.7	WD6350-1H03B001	X	
							WD6350-1H03B002	Y	
4	3	19.05	30.25	32.45	35.45	40.05	WD6350-1H04B001	X	
							WD6350-1H04B002	Y	

Ordering Information

WD6350-1 H XX B O OX

1=Single Row

H=HOUSING

No.of Pins:

02=2P; 03=3P; 04=4P

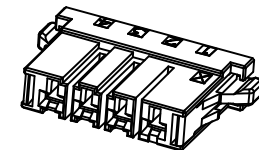
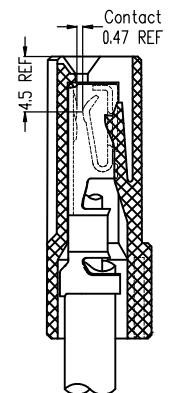
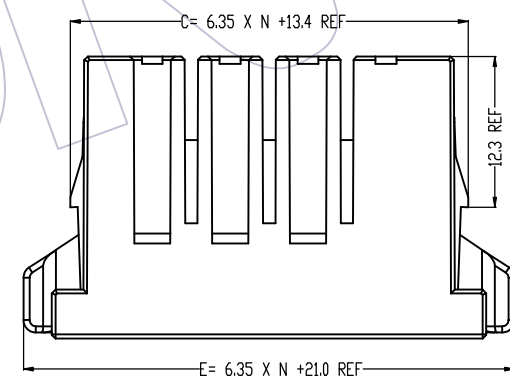
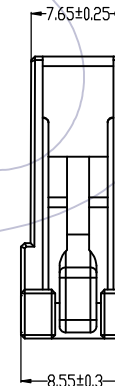
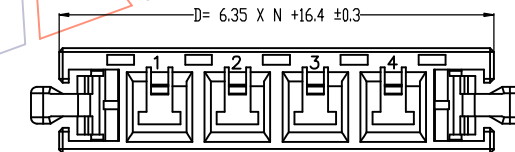
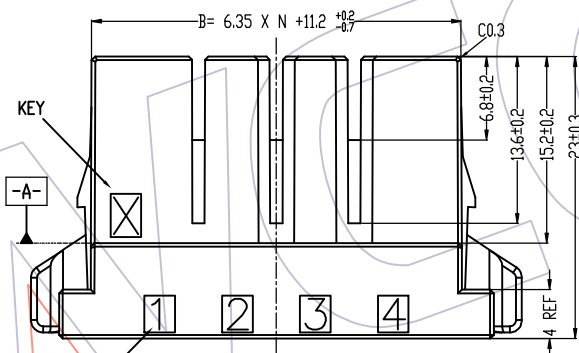
Color:

B=Black

PACKING:PE Bag

CODE OF KEYING

01=X; 02=Y



REV	DATE	MODIFICATION DESCRIPTION	CHANGE	OPERATION		DRAW	DATE	SCALE	FIT	PART NO.	 Http: www.wcon.com WCON-Dongguan Tel: +86 769 85358920 WCON-Kunshan Tel: +86 512 57468408 Fax: +86 769 85358915 Fax: +86 512 57468468 E-mail: sales@wcon.com E-mail: salesks@wcon.com	
				x.x	±0.40							
				x.xx	±0.25	CHECK	DATE			WD6350-1HXXB00X	TITLE: 6.35mm DYN. Type Single Row Housing	
				x.xxx	±0.15	APPROVE	DATE	SHEET	1/1	Customer NO.		
AO	2021. 06. 02	NEW		Angle	± 3'			DIM	TOL		PROJ.	