

HSF

NOTES:

Current Rating:1.5AMP
 Contact Resistance:20mΩ max
 Withstand Voltage:500V AC/DC
 Insulation Resistance:1000MΩ min
 Operation Temperature:-40℃ to +105℃

Contact Material:Brass
 Contact plating:Au or Sn Over Ni
 Insulator Material:PA6T+30%GF(UL94V-0)

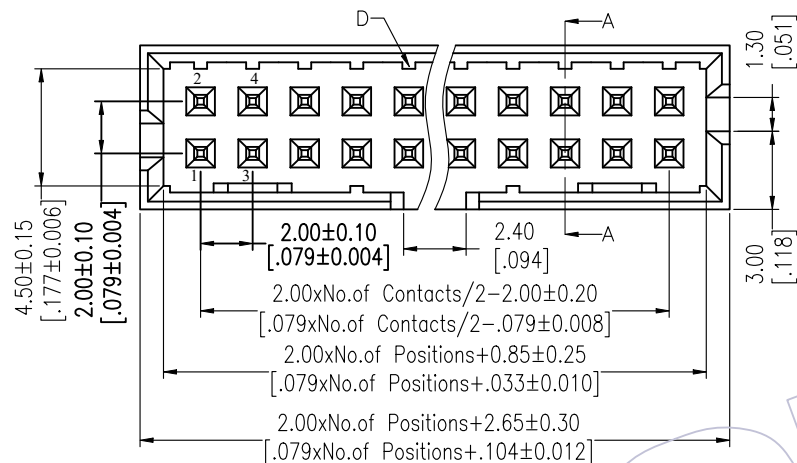
4Pin Without Identirication "B" "C" "D"
 6Pin Without Identirication "C" "D"
 8 TO 12Pin Without Slot "C"

NO."3" and "N-2" pins of terminals are deformed with kinks

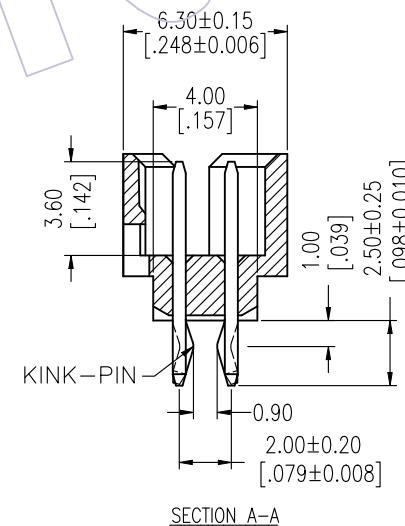
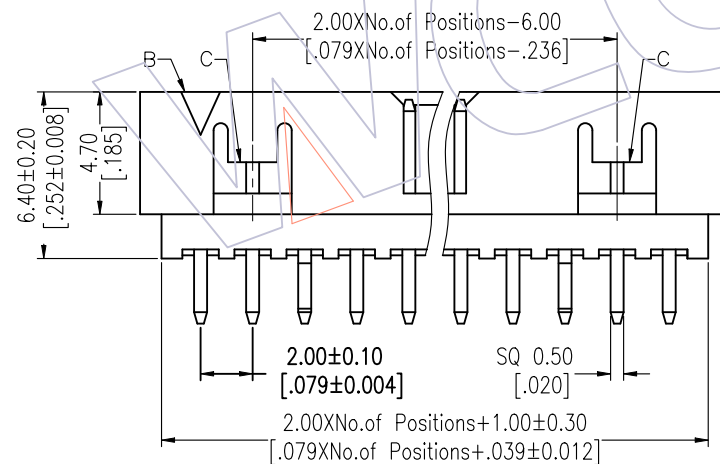
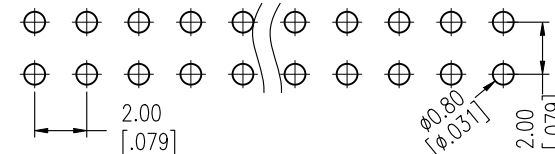
Ordering Information

3121-XX S XX B K00 X 2

No. of Pins	Contact Plating	Color Insulator	Packing
14 34	G0=Gold Flash	B=Black	T=Tube
16 40	G1=3u"Gold		A=Tray
20 44	G2=5u"Gold		
24 50	G3=10u"Gold		
26 60	G4=15u"Gold		
30	G5=30u"Gold		
	S0=Gold Flash/Tin		
	S1=3u"Gold/Tin		
	S2=5u"Gold/Tin		
	S3=10u"Gold/Tin		
	S4=15u"Gold/Tin		
	S5=30u"Gold/Tin		
	SN=Tin		



Recommended P.C.B Layout(Top Side)
 (PCB BOARD TOLERANCE±0.05)



OPERATION	DRAW	DATE	SCALE	FIT	PART NO.
x.X ±0.40	Allen	2015/03/09	UNIT	mm	3121-XXSXXBK00X2
x.XX ±0.25	CHECK	DATE	SIZE	A4	TITLE: 2.00 BOX HEADER 180° DIP H=6.4 KINK-PIN
x.XXX ±0.15	APPROVE	DATE	SHEET	1/1	Customer NO.
Angle ± 3'			PROJ.		
DIM TOL					

REV	DATE	MODIFICATION DESCRIPTION	CHANGE
A0	2015/03/09	NEW	-----

WCON

Http: www.wcon.com

WCON-Dongguan Tel: +86 769 85358920
 WCON-Kunshan Tel: +86 512 57468408
 Fax: +86 769 85358915
 Fax: +86 512 57468468
 E-mail: sales@wcon.com
 E-mail: salesks@wcon.com