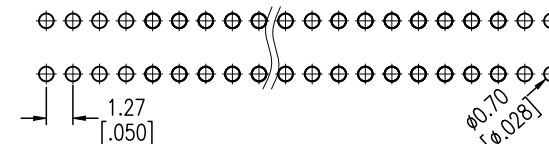
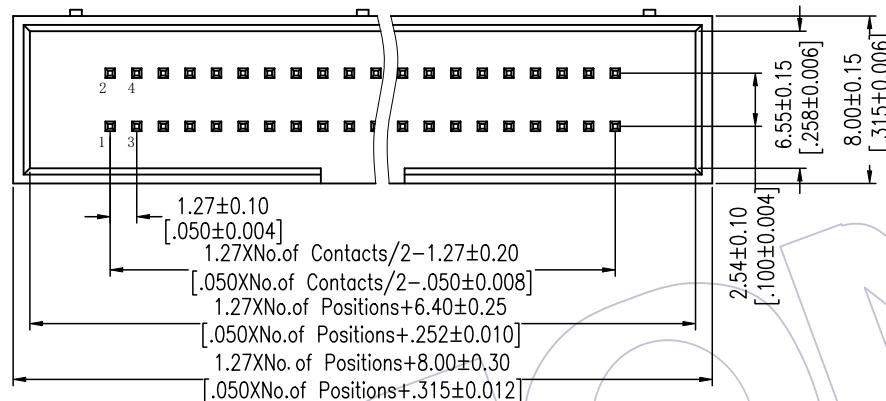


HSF

NOTES:
 Current Rating: 1.0AMP
 Contact Resistance: 20mΩ Max
 Withstand Voltage: 500V AC/DC
 Insulation Resistance: 1000MΩ Min
 Operation Temperature: -40°C to +105°C

Contact Material: Brass
 Contact plating: Au Or Sn over Ni
 Insulator Material: PA9T G.F UL94V-0

Recommended P.C.B Layout(Top Side)
 (PCB BOARD TOLERANCE ±0.05)

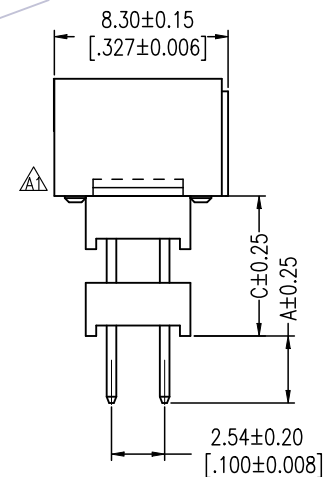
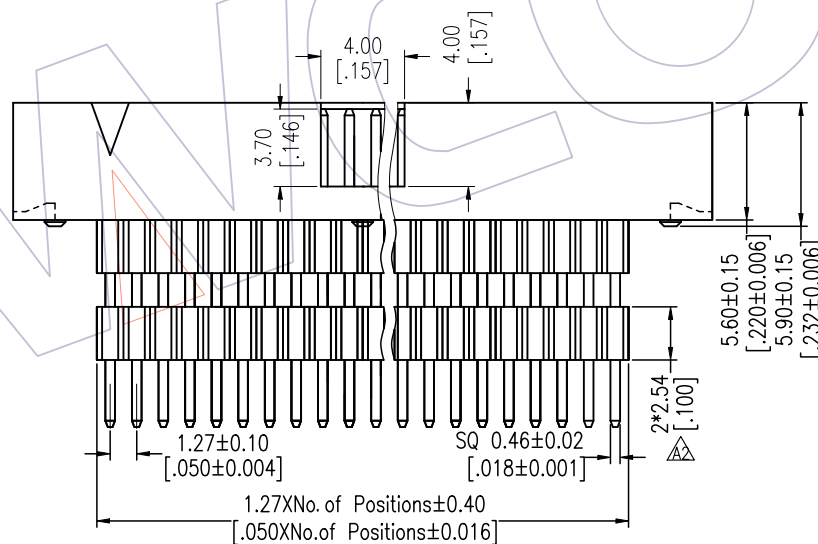


Ordering Information

3140-XX S XX B D00 X X

No. of Pins	Contact Plating	Color Insulator	Series No
10 34	G0=Gold Flash	B=Black	
14 40	G3=10u"Gold		
16 44	G4=15u"Gold		
20 50	G5=30u"Gold		
24 60	S0=Gold Flash/Tin		
26 64	S3=10u"Gold/Tin		
30 80	S4=15u"Gold/Tin		
100	S5=30u"Gold/Tin		
	SN=Tin		

Packing T=Tube



Item	Pitch	Mating	Dip(A)
Standard	1.27X2.54	5242	3.20
Alternate			

REV	DATE	MODIFICATION DESCRIPTION	CHANGE	OPERATION	DRAW	DATE	SCALE	FIT	PART NO.
A2	2020/10/09	ADD HOUSING	△	x.x	DuYing	2020/10/09	UNIT	mm	3140-XXSXXBD00XX
A1	2018/02/04	Modify	△	x.xx	CHECK	DATE	SIZE	A4	TITLE:
A0	2012/09/18	NEW	-----	x.xxx	APPROVE	DATE	SHEET	1/1	1.27x2.54 BOX HEADER 180° H=5.9 ADD HOUSING
				Angle			PROJ.		Customer NO.
				DIM	TOL				

WCON

Http: www.wcon.com

WCON-Dongguan Tel: +86 769 85358920
 WCON-Kunshan Tel: +86 512 57468408
 Fax: +86 769 85358915
 Fax: +86 512 57468468
 E-mail: sales@wcon.com
 E-mail: salesks@wcon.com