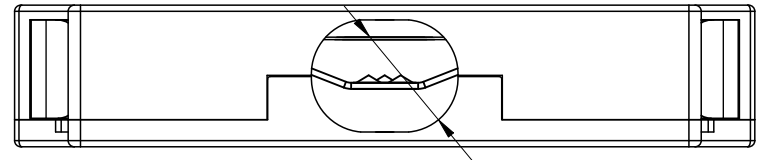


1 2 3 4 5 6 7 8 9 10

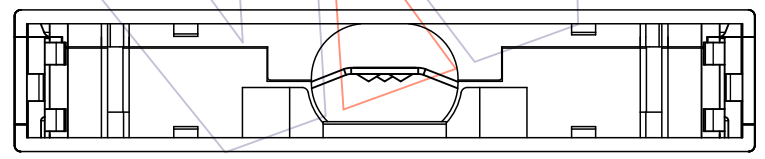
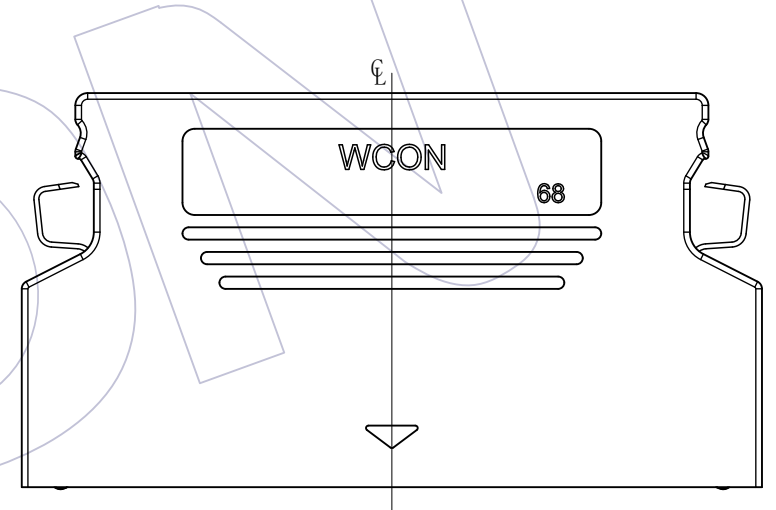
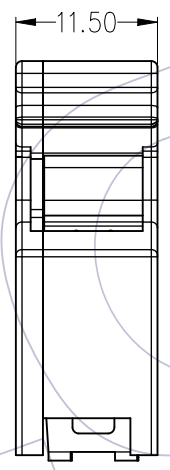
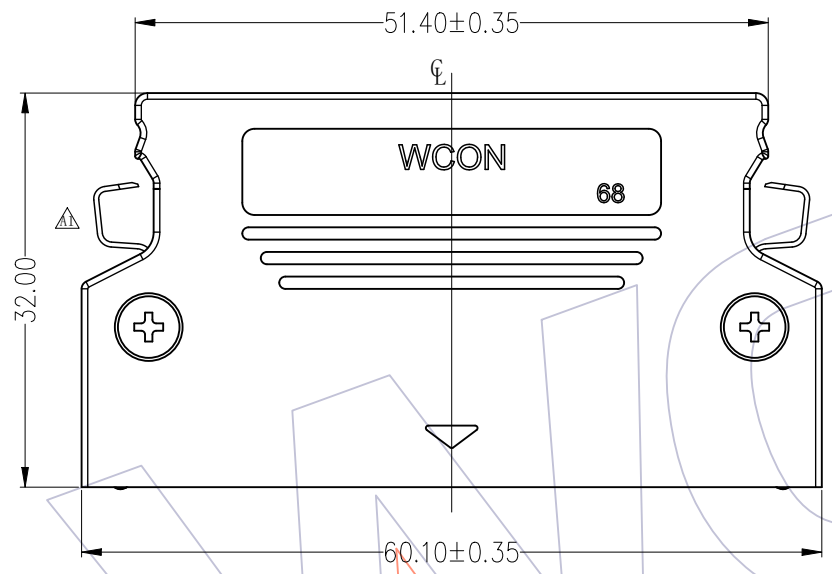
Ordering Information

6328M- 068 S 00 M 0 01 W

NO.of pins 68P
 Shell material M=Metal
 Wcon Internal Code:
 Contact Plating 00=NO contact
 Packing 0=BAG
 W=W/T WCON



∅8.78



(6)	LOWER SHELL	M6328M-068SNI02W	1	锌合金, 镀高磷镍
(5)	SIDE BUCKLE SHRAPNEL	K6328M-SM002 [△]	2	SUS,T=0.40mm
(4)	CLAMP	B6326-050PNI01	1	C5191-H,Plating Ni
(3)	SCREW CLAMP	L6326-SNI01	2	SUS,M2.6,Plating Ni
(2)	SCREW SHELL	L6328M-SNI01	2	SUS,M2.6,Plating Ni
(1)	UPPER SHELL	M6328M-068SNI01W	1	锌合金, 镀高磷镍
ITEM	DESCRIPTION	P/N	Q'TY	MATERIALS

				OPERATION	DRAW	DATE	SCALE	FIT	PART NO.	
				X.X ±0.40	NYF	2023/10/24	UNIT	mm	6328M-068S00M01W	
A1	2023/10/24	Modify	/	X.XX ±0.25	CHECK	DATE	SIZE	A4	TITLE:	
A0	2022/03/03	NEW	/	X.XXX ±0.15			SHEET	1/3	SCSI ASSEMBLE(68PIN) (6PCS)	
REV	DATE	MODIFICATION DESCRIPTION	CHANGE	Angle ± 3°	APPROVE	DATE	PROJ.	⊕	Customer NO.	
				DIM TOL						



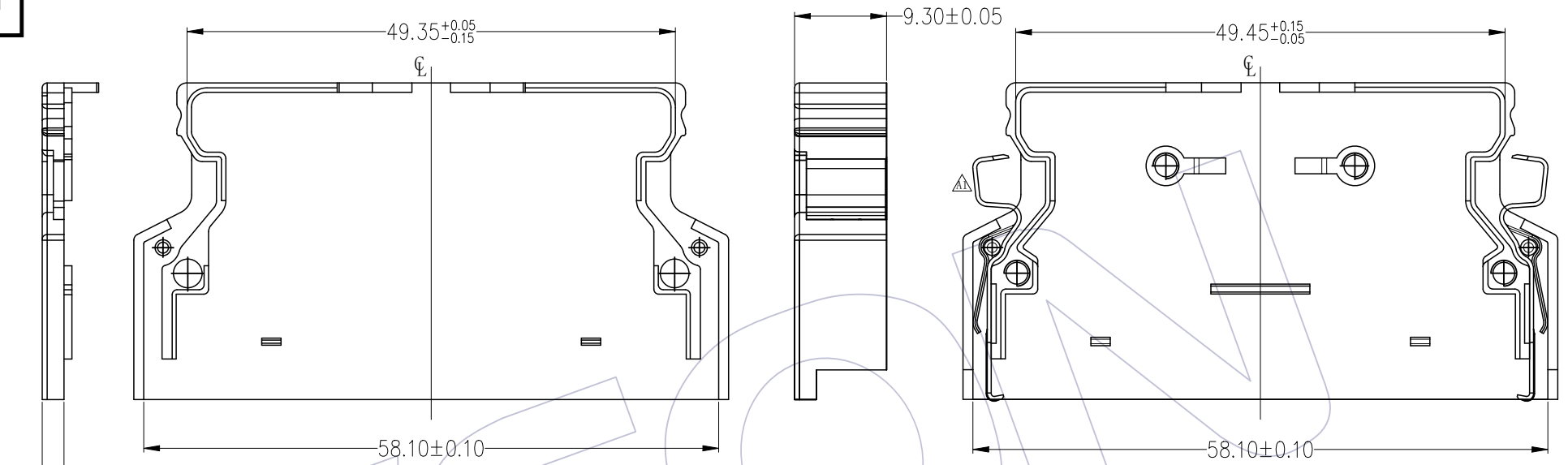
WCON-Dongguan Tel: +86 769 85358920
 WCON-Kunshan Tel: +86 512 57468408
 Fax: +86 769 85358915 Fax: +86 512 57468468
 E-mail: sales@wcon.com E-mail: salesks@wcon.com

1 2 3 4 5 6 7 8 9 10

A B C D E F G H

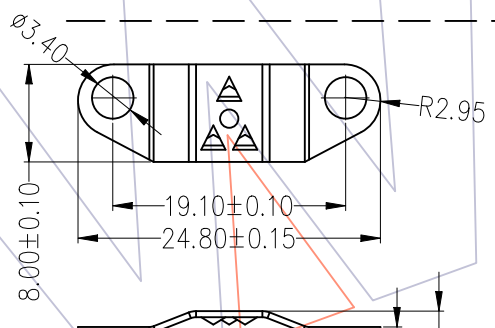
A B C D E F G H

HSF

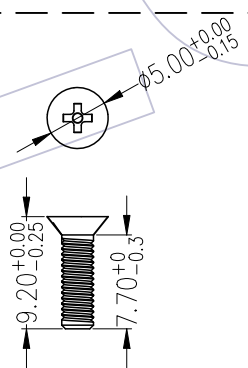


上壳
UPPER SHELL

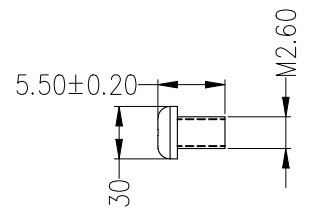
下壳及侧弹片
LOWER SHELL &
SIDE BUCKLE SHRAPNEL



线夹
(CLAMP)



壳螺丝
(SCREW SHELL)



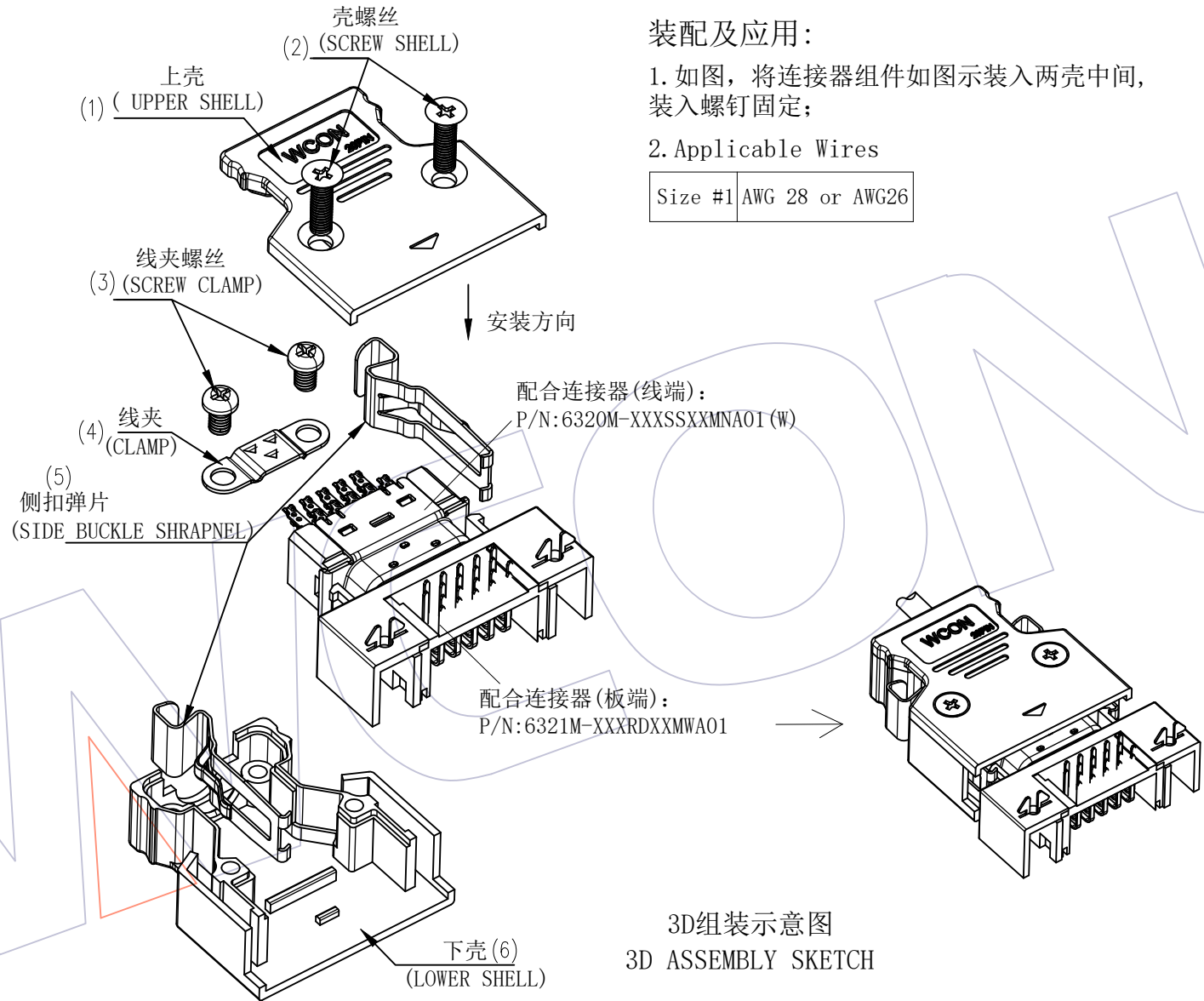
线夹螺丝
(SCREW CLAMP)

REV	DATE	MODIFICATION DESCRIPTION	CHANGE	OPERATION	DRAW	DATE	SCALE	FIT	PART NO.
A1	2023/10/24	Modify	/	x.x ±0.40	NYF	2023/10/24	UNIT	mm	6328M-068S00M001W
A0	2022/03/03	NEW	/	x.xx ±0.25	CHECK	DATE	SIZE	A4	TITLE: SCSI ASSEMBLE(68PIN) (6PCS)
				x.xxx ±0.15	APPROVE	DATE	SHEET	2/3	Customer NO.
				Angle ± 3°			PROJ.		
				DIM TOL					

WCON
Http: www.wcon.com

WCON-Dongguan Tel: +86 769 85358920 Fax: +86 769 85358915 E-mail: sales@wcon.com
WCON-Kunshan Tel: +86 512 57468408 Fax: +86 512 57468468 E-mail: sales@wcon.com

HSF



装配及应用:

1. 如图, 将连接器组件如图示装入两壳中间, 装入螺钉固定;

2. Applicable Wires

Size #1	AWG 28 or AWG26
---------	-----------------

3D组装示意图
3D ASSEMBLY SKETCH

REV	DATE	MODIFICATION DESCRIPTION	CHANGE	OPERATION	DRAW	DATE	SCALE	FIT	PART NO.
A1	2023/10/24	Modify	/	X.X ±0.40	NYF	2023/10/24	UNIT	mm	6328M-068S00M001W
A0	2022/03/03	NEW	/	X.XX ±0.25	CHECK	DATE	SIZE	A4	TITLE: SCSI ASSEMBLE(68PIN) (6PCS)
				X.XXX ±0.15	APPROVE	DATE	SHEET	3/3	Customer NO.
				Angle ± 3°			PROJ.		
				DIM TOL					

WCON
Http: www.wcon.com

WCON-Dongguan Tel: +86 769 85358920
WCON-Kunshan Tel: +86 512 57468408
Fax: +86 769 85358915 Fax: +86 512 57468468
E-mail: sales@wcon.com E-mail: salesks@wcon.com