

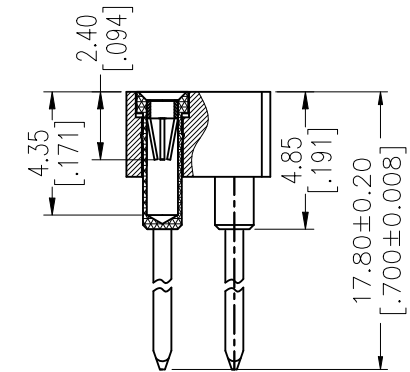
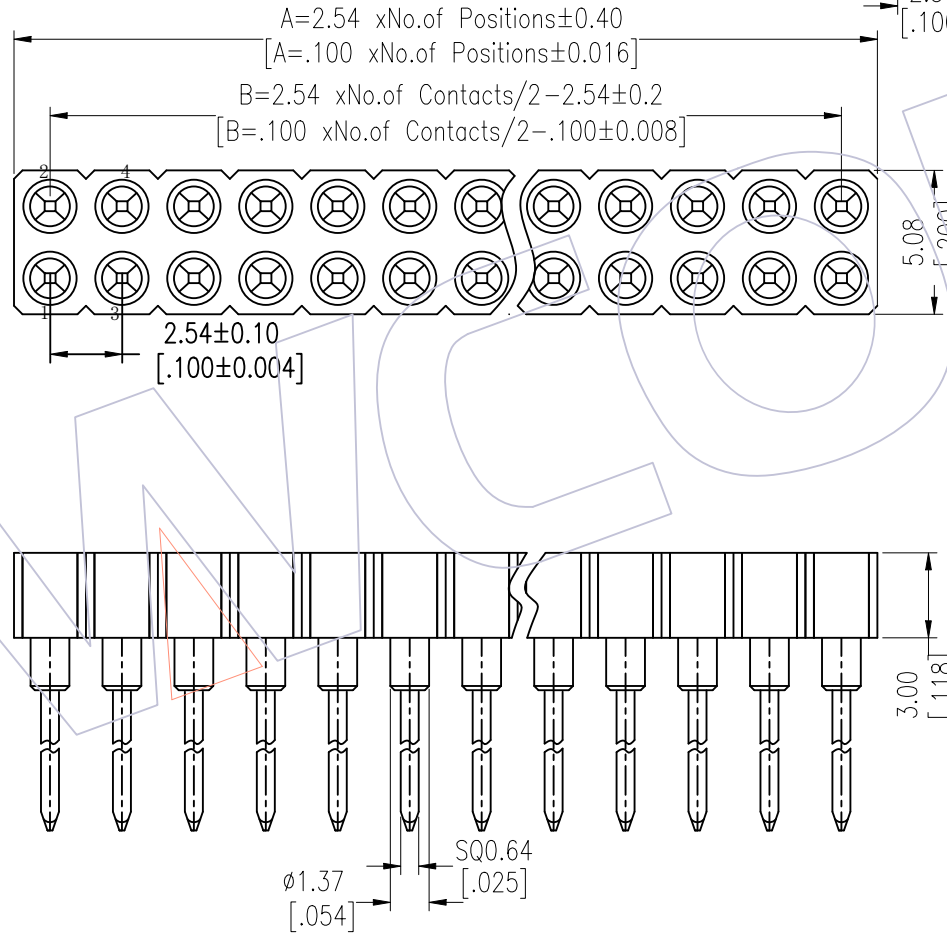
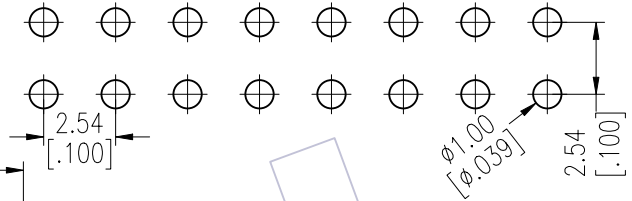
HSF

TECHNICAL SPECS:

Current Rating: 3.0AMP
 Contact Resistance: 10mΩ Max
 Dielectric Strength: Min 1000Vrms
 Mechanical Life: Min 500 cycles
 Mating Pin: $\phi 0.40$ to $\phi 0.56$ mm
 Forces: (polished steel gauge $\phi 0.47$ mm)
 Insertion: 200g Max/Pin, Withdrawal: 60g Min/Pin
 Operation Temperature: -40°C to $+105^{\circ}\text{C}$

Sleeve: Brass CuZn36Pb3(C36000), Sn over Ni
 Contact Clip(4 finger): BeCu(C17200), Au or Sn over Ni
 Insulator Material: PPS+30%G.F.(UL94V-0)

Recommended P.C.B Layout(Top Side)
 (PCB BOARD TOLERANCE ± 0.05)



Ordering Information

3520-302 XX S XX 178 X 1

No. of Pin: 2-50PIN
 Contact Plating:
 S0=Gold Flash/Tin
 S3=10u"Gold/Tin
 S4=15u"Gold/Tin
 S5=30u"Gold/Tin
 SN=Tin
 Packing:
 A=Tray
 T=Tube

Item	Pitch	Mating
Standard	2.54	3510
Alternate		

REV	DATE	MODIFICATION DESCRIPTION	CHANGE	OPERATION	DRAW	DATE	SCALE	FIT	PART NO.
A0	2012/10/18	NEW	-----	X.X ±0.40	JYHuang	2012/10/18	UNIT mm		3520-302XXSXX178X1
				X.XX ±0.25	CHECK	DATE	SIZE A4		TITLE:
				X.XXX ±0.15	APPROVE	DATE	SHEET 1/1		2.54mm MACHINED FEMALE HEADER
				Angle ± 3'			PROJ.		DUAL ROW 180° H=3.00 L=17.8 SQUARE PIN
				DIM TOL					Customer NO.

WCON

Http: www.wcon.com

WCON-Dongguan
 Tel: +86 769 85358920
 Fax: +86 769 85358915
 E-mail: sales@wcon.com

WCON-Kunshan
 Tel: +86 512 57468408
 Fax: +86 512 57468468
 E-mail: salesks@wcon.com