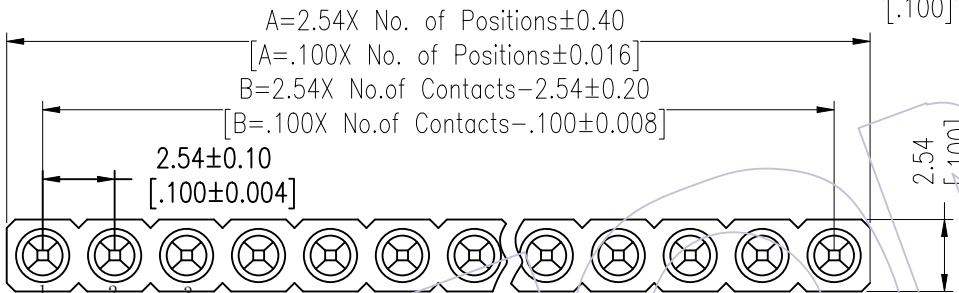


# HSF

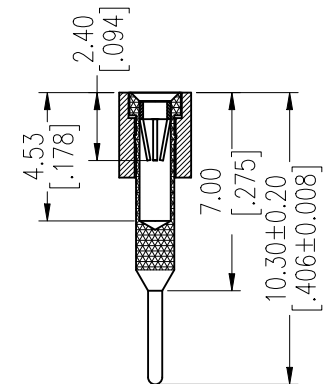
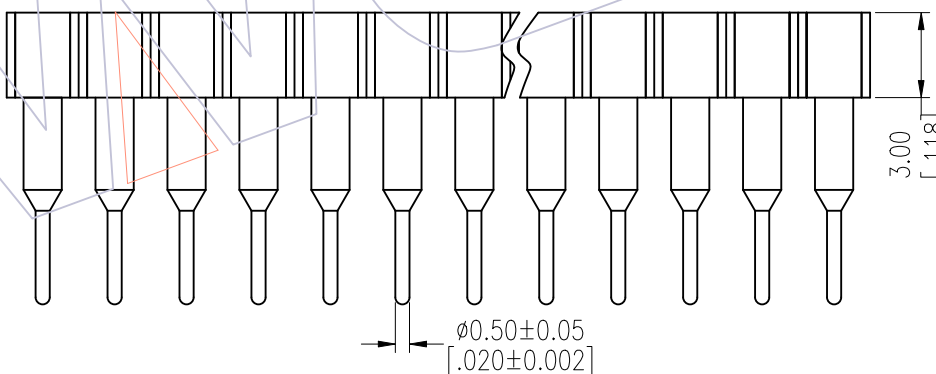
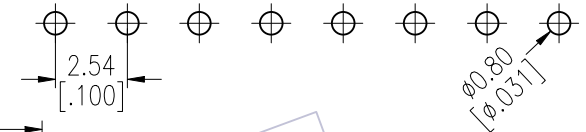
## TECHNICAL SPECS:

Current Rating: 3.0AMP  
 Contact Resistance: 10mΩ Max  
 Dielectric Strength: Min 1000VRms  
 Mechanical Life: Min 500 cycles  
 Mating Pin:  $\phi 0.40$  to  $\phi 0.56$ mm  
 Forces: (polished steel gauge  $\phi 0.47$ mm)  
 Insertion: 200g Max/Pin, Withdrawal: 60g Min/Pin  
 Operation Temperature:  $-40^{\circ}\text{C}$  to  $+105^{\circ}\text{C}$

Sleeve: Brass CuZn36Pb3(C36000)  
 Contact Clip(4 finger): BeCu(C17200)  
 Insulator Material: PPS+30%G.F(UL94V-0)



Recommended P.C.B Layout(Top Side)  
 (PCB BOARD TOLERANCE  $\pm 0.05$ )



## Ordering Information

### 3520-301 XX S XX 103 X 1

No. of Pin: 2~50PIN  
 Contact Plating: S0=Gold Flash/Tin, S3=10u"Gold/Tin, S4=15u"Gold/Tin, S5=30u"Gold/Tin, SN=Tin  
 Packing: A=Tray, T=Tube

Item	Pitch	Mating
Standard	2.54	3510
Alternate		

OPERATION	DRAW	DATE	SCALE	FIT	PART NO.
x.x ±0.40	JYHuang	2012/10/18	UNIT	mm	3520-301XXSXX103X1
x.xx ±0.25	CHECK	DATE	SIZE	A4	TITLE:
x.xxx ±0.15	APPROVE	DATE	SHEET	1/1	2.54mm MACHINED FEMALE HEADER SINGLE ROW 180° H=3.00 L=10.3
Angle ± 3'			PROJ.		Customer NO.
DIM TOL					

# WCON

Http: www.wcon.com

WCON-Dongguan Tel: +86 769 85358920  
 WCON-Kunshan Tel: +86 512 57468408  
 Fax: +86 769 85358915  
 Fax: +86 512 57468468  
 E-mail: sales@wcon.com  
 E-mail: salesks@wcon.com

REV	DATE	MODIFICATION DESCRIPTION	CHANGE
A0	2012/10/18	NEW	-----