

HSF

TECHNICAL SPECS:

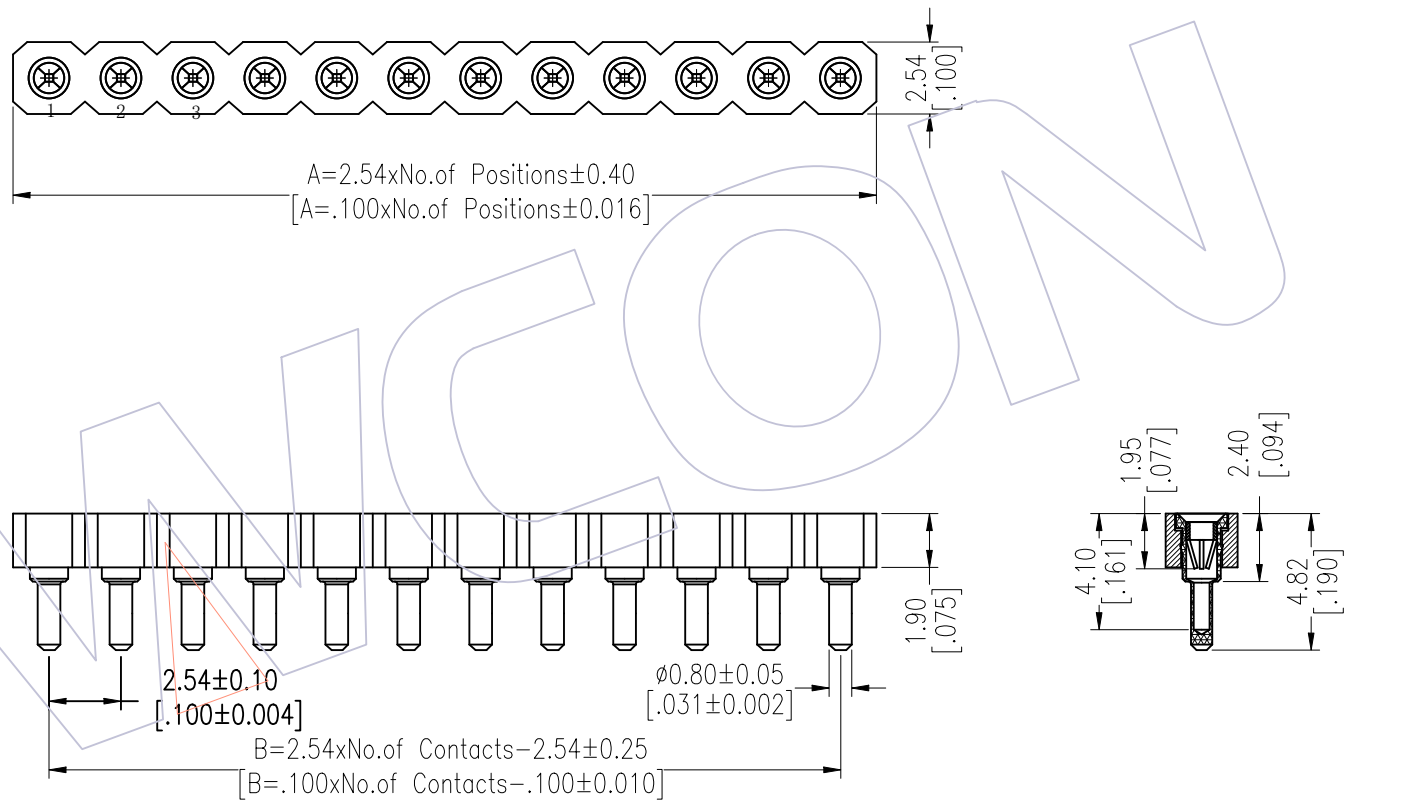
Current Rating: 3.0AMP
 Contact Resistance: 10mΩ Max
 Dielectric Strength: Min 1000V_{RMS}
 Mechanical Life: Min 500 cycles
 Mating Pin: $\phi 0.40$ to $\phi 0.56$ mm
 Forces: (polished steel gauge $\phi 0.47$ mm)
 Insertion: 200g Max/Pin, Withdrawal: 60g Min/Pin
 Operation Temperature: -40°C to $+105^{\circ}\text{C}$

Sleeve: Brass CuZn36Pb3(C36000)
 Contact Clip(4 finger): BeCu(C17200)
 Insulator Material: PPS+30%G.F(UL94V-0)

Ordering Information

3520-191 XX S XX 048 X 1

No. of Pin: 2-50PIN
 Contact Plating:
 S0=Gold Flash/Tin
 S3=10u"Gold/Tin
 S4=15u"Gold/Tin
 S5=30u"Gold/Tin
 SN=Tin
 Packing:
 A=Tray
 T=Tube



Item	Pitch	Mating
Standard	2.54	3510
Alternate		

REV	DATE	MODIFICATION DESCRIPTION	CHANGE	OPERATION	DRAW	DATE	SCALE	FIT	PART NO.
				X.X	JYHuang	2012/10/18	UNIT	mm	3520-191XXSXX048X1
				X.XX	CHECK	DATE	SIZE	A4	TITLE: 2.54mm MACHINED FEMALE HEADER SINGLE ROW 180° H=1.90 L=4.82
				X.XXX	APPROVE	DATE	SHEET	1/1	Customer NO.
				Angle			PROJ.		
				DIM	TOL				

WCON
 Http: www.wcon.com

WCON-Dongguan WCON-Kunshan
 Tel: +86 769 85358920 Tel: +86 512 57468408
 Fax: +86 769 85358915 Fax: +86 512 57468468
 E-mail: sales@wcon.com E-mail: salesks@wcon.com