

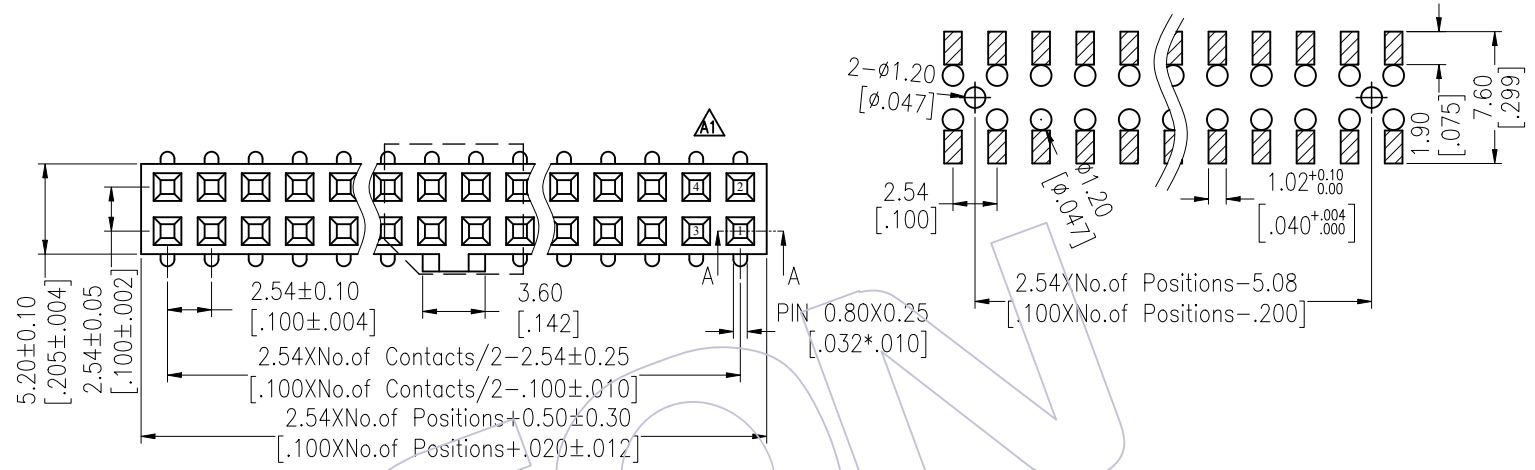
HSF

NOTES:

Rated Current:3.0AMP
 Contact Resistance:20mΩ max
 Withstand Voltage:1000V AC
 Insulation Resistance:1000MΩ min
 Operation Temperature:-40°C to +105°C

Contact Material:Phosphor Bronze
 Contact Plating:Au Or Sn Over Ni
 Insulator Material:PA9T+33%G.F UL94V-0

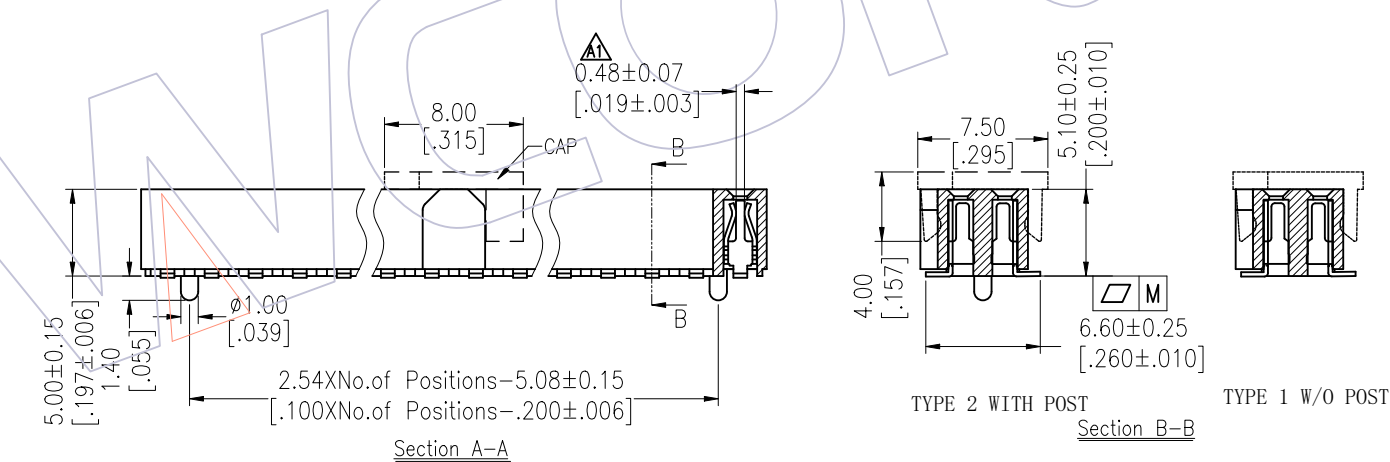
Recommended P.C.B Layout(Top Side)
 (PCB BOARD TOLERANCE±0.05)



Ordering Information

2150-2 XX M XX CUN X X

- No. of Pins per Row: 02-40Pin
- Contact Plating:
 G0=Gold Flash
 G3=10μ"Gold
 G4=15μ"Gold
 G5=30μ"Gold
 S0=Gold Flash/Tin
 S3=10μ"Gold/Tin
 S4=15μ"Gold/Tin
 S5=30μ"Gold/Tin
 SN=Tin
 SM=Matte Tin
- Packing:
 T=Tube
 P=Tube+CAP
 R=Tube&Reel+CAP
- Series No.
 3=TYPE 1
 4=TYPE 2



Pin(Per Row)	2-15P	16-25P	26-40P
M	0.10	0.15	0.18

TITLE	PART NO.
TYPE 1	2150-2XXMXXCUNX3
TYPE 2	2150-2XXMXXCUNX4

Item	Pitch	Mating
Standard	2.54	1115/1120/1125
Alternate		

OPERATION	DRAW	DATE	SCALE	FIT	PART NO.
A2 2023/02/13 Modify Flatness	X.X ±0.40 XSR	2023/02/13	UNIT mm		SEE TABLE
A1 2017/07/20 Modify	X.XX ±0.25 CHECK	DATE	SIZE A4		TITLE: 2.54mm Female Header DUAL SMT H=5.0 WITH BUMP
A0 2012/08/06 NEW	X.XXX ±0.15 APPROVE	DATE	SHEET 1/1		Customer NO.
REV DATE MODIFICATION DESCRIPTION CHANGE	Angle ± 3° DIM TOL		PROJ.		

WCON
 Http: www.wcon.com
 WCON-Dongguan Tel: +86 769 85358920 Fax: +86 769 85358915 E-mail: sales@wcon.com
 WCON-Kunshan Tel: +86 512 57468408 Fax: +86 512 57468468 E-mail: salesks@wcon.com