

HSF

NOTES:
 Current Rating: 2.0AMP
 Contact Resistance: 20mΩ Max
 Withstand Voltage: 500V AC/DC
 Insulation Resistance: 1000MΩ Min
 Operation Temperature: -40°C to +105°C

Contact Material: Phosphor Bronze
 Contact plating: Au Or Sn over Ni
 Insulator Material: LCP+30%G.F UL94V-0



Ordering Information

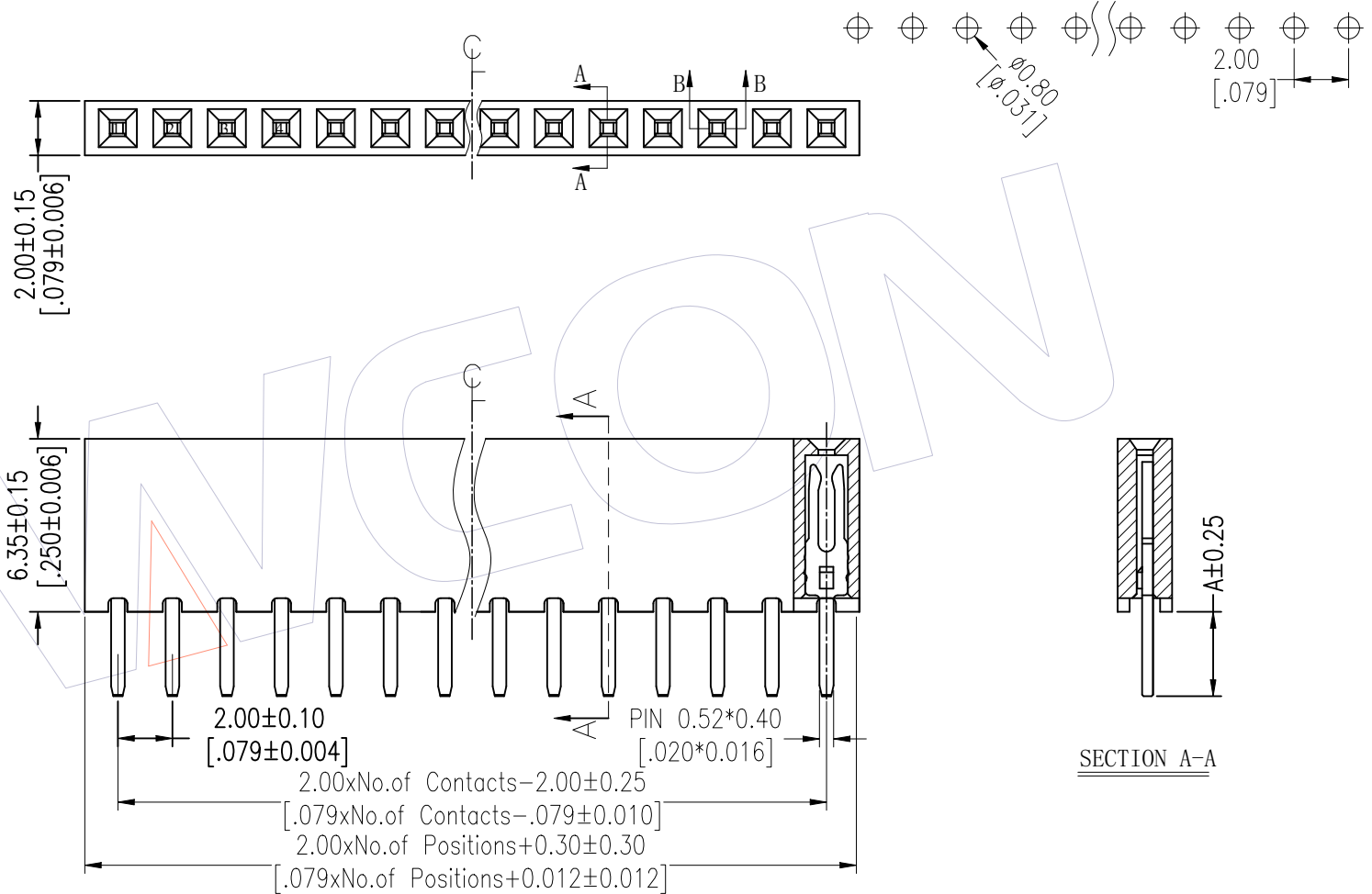
2263 - 1 XX S XX D Y N T X

No. of Pins per ROW: 02-40PIN
 Contact Plating:
 G0=Gold Flash
 G3=10μ"Gold
 G4=15μ"Gold
 G5=30μ"Gold
 S0=Gold Flash/Tin
 S3=10μ"Gold/Tin
 S4=15μ"Gold/Tin
 S5=30μ"Gold/Tin
 SN=Tin
 SM=Matte Tin
 Insulator:
 D=LCP
 T=Tube
 Packing:

Item	Pitch	DIM A	Mating
Standard	2.00	3.1/2.4	1215/1220
Alternate			



Recommended P.C.B Layout(Top Side)
 (PCB BOARD TOLERANCE±0.05)



SECTION B-B

SECTION A-A

REV	DATE	MODIFICATION DESCRIPTION	CHANGE	OPERATION	DRAW	DATE	SCALE	FIT	PART NO.
A2	2013/03/15	Modify drawing	-----	X.X ±0.40	Wang	2013/03/15	UNIT mm		2263-1XXSXXDYNTX
A1	2012/11/07	Modificat the table: DIM A 3.10--3.1/2.4	-----	X.XX ±0.25	CHECK	DATE	SIZE A4		TITLE: FH2.00mm SINGLE ROW 180° DIP H=6.35
A0	2012/07/23	NEW	-----	X.XXX ±0.15			SHEET 1/1		
				Angle ± 3°	APPROVE	DATE	PROJ.		Customer NO.
				DIM TOL					

WCON

Http: www.wcon.com

WCON-Dongguan Tel: +86 769 85358920 Fax: +86 769 85358915 E-mail: sales@wcon.com
 WCON-Kunshan Tel: +86 512 57468408 Fax: +86 512 57468468 E-mail: salesks@wcon.com