

**NOTES:**

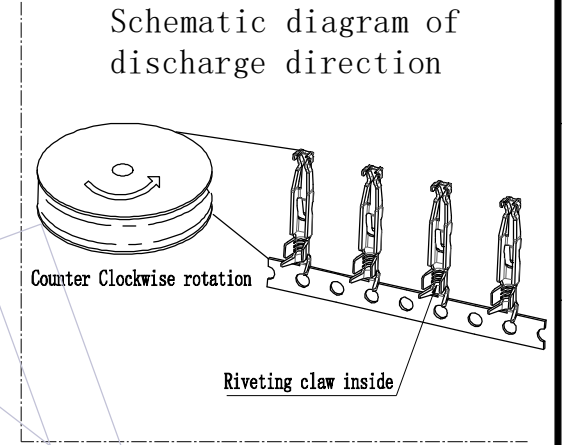
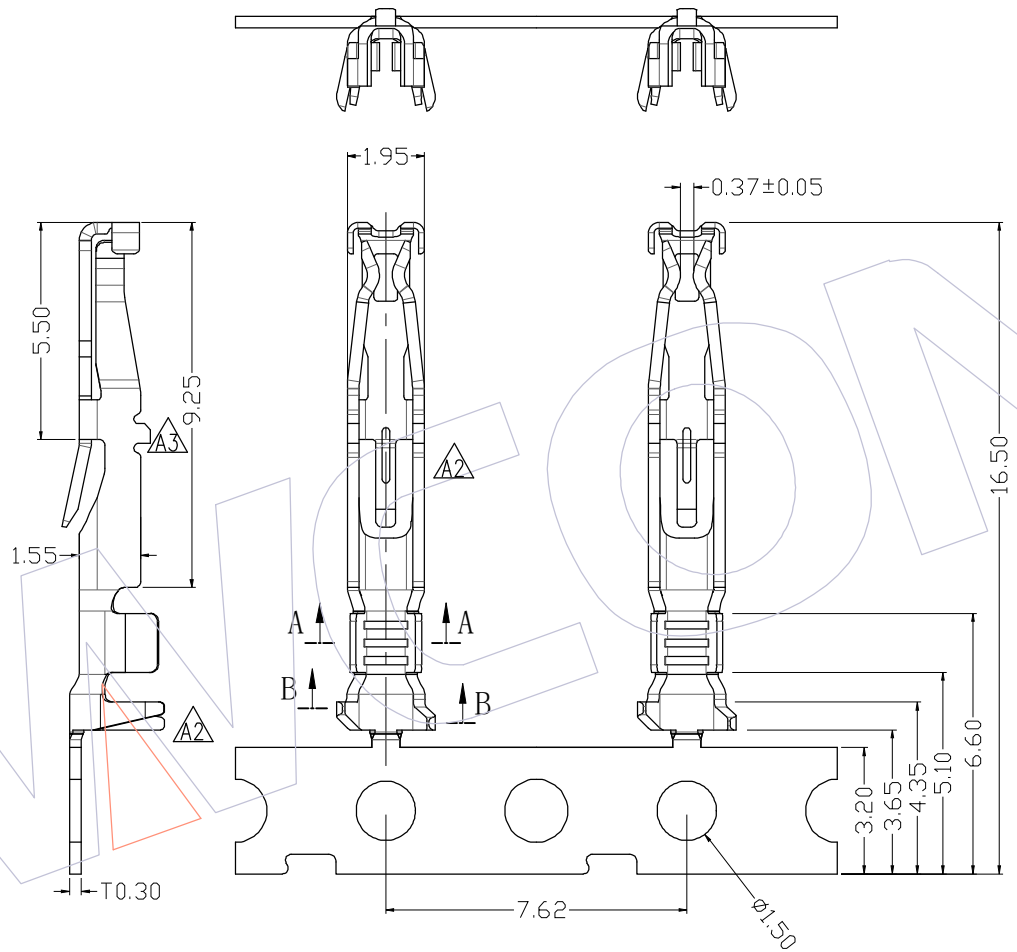
Contact Material: Cu-Alloy;  
 Current Rating: 12.0 A Max;  
 Contact Finish: Au and Sn over Ni;  
 Wire Size Range: 22-20AWG;  
 Insulation range: 1.2-1.55mm;

**Ordering Information**

3915-4TD3 XX 02

Contact Plated:

W3=Sel. 10u" Au/Matte Sn  
 W4=Sel. 15u" Au/Matte Sn  
 W5=Sel. 30u" Au/Matte Sn



线规	20AWG	22AWG
压接高度	1.13±0.05	0.98±0.05
压接宽度	1.63±0.05	1.63±0.05
压缩比	87.6%	87.9%
切片 界面 分析 示意 图		
	SECTION:A-A	SECTION:A-A
	SECTION:B-B	SECTION:B-B

REV	DATE	MODIFICATION DESCRIPTION	CHANGE	DIM	TOL	OPERATION	DATE	SCALE	FIT	PART NO.
A3	2021/10/29	Add Fool Proof	—			OPERATION	2021/10/29	UNIT	mm	3915-4TD3XX02
A2	2019/08/15	MODIFY DRAWING	—	x.x	±0.40	CHECK	DATE	SIZE	inch	
A1	2019/04/11	3915-4TDXX02--3915-4TD3XX02	—	x.xx	±0.25	APPROVE	DATE	SHEET	A4	TITLE: LSC Connector - Crimp Terminal (20/22AWG)
A0	2019/03/25	NEW	—	x.xxx	±0.15			PROJ.	1/1	Customer NO.
				Angle	± 3'					

**WCON**  
 Http: www.wcon.com

WCON-Dongguan Tel: +86 769 85358920  
 WCON-Kunshan Tel: +86 512 57468408  
 Fax: +86 769 85358915  
 Fax: +86 512 57468468  
 E-mail: sales@wcon.com  
 E-mail: salesks@wcon.com